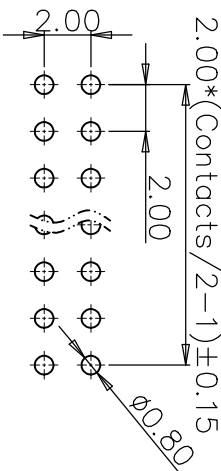
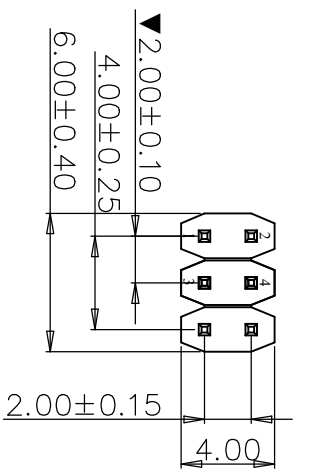
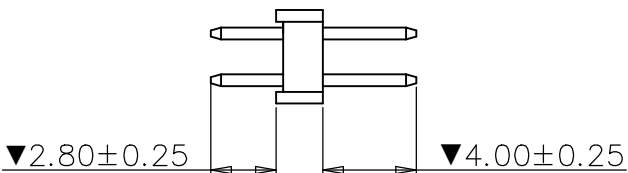
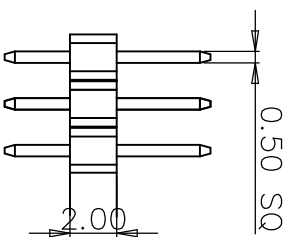




REVISION DATA				
SYM	ECN	DESCRIPTION	DATE	APPROVED



Recommended P.C.B Layout(±0.05)



**Technical Data**  
 Contact: brass JIS C2700(Cuzn35)  
 Contact plating: see ordering information  
 Insulator: black glass filled polyester  
 UL94V-0  
 Current rating: 1.5Amps  
 Contact resistance: 20mΩ max.  
 Insulation resistance: 1000MΩ min. at 100V  
 Withstanding Voltage: 450V AC/minute  
 Retention force: 0.6Kgf/contact per layer min.  
 Operating temperature: -55°C to +105°C  
 Soldering temperature: 245°C±5° 5S  
 Critical Dimensions: ▼

Ordering information

QFA2 20 1 - P XX X X A 01

High Option  
20: H=2.00mm

No. of Positions  
02-80

Plating Option  
A: GLF  
B: Au3u"  
C: Au5u"  
D: Au10u"  
S: Sn120u"  
Z: Special (Underline option is standard)

Insulator Material Option  
A: BK-PBT  
F: BK-ICP  
G: BK-PA9T  
S: Special (Underline option is standard)

Serial No.  
01-999

natconn

东莞市纳特康电子有限公司  
DONGGUAN NATCONN ELECTRONIC CO.,LTD

TOLERANCE: ANGLE ±2°  
 PROJECTION: DATE: 2013/01/01  
 TITLE: 2.00\*2.00mm Pin Header  
 Dual Row Straight W=4.0mm

Packing	1. General	2. Tape&Reel	3. Tube	4. Tray	5. Other
√	X	X	X	X	X

CUSTOMER: N/A  
 PART NO.:  
 DRAWING NO.: QFA2201PA01

CUSTOMER P/N: N/A  
 CHECKED: 于松  
 APPROVED: 张丰志

SIZE: A4  
 UNIT: mm  
 SCALE: 2:1  
 SHEET: 1/1