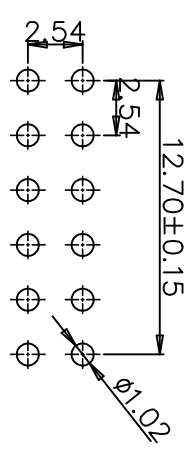
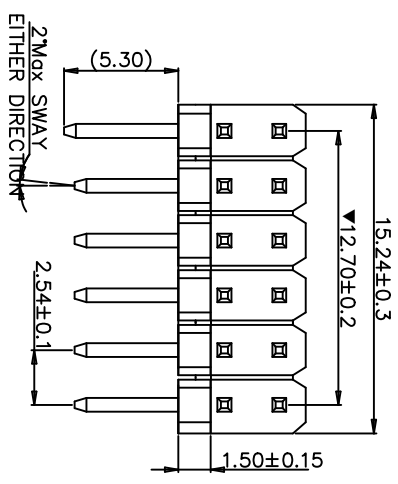


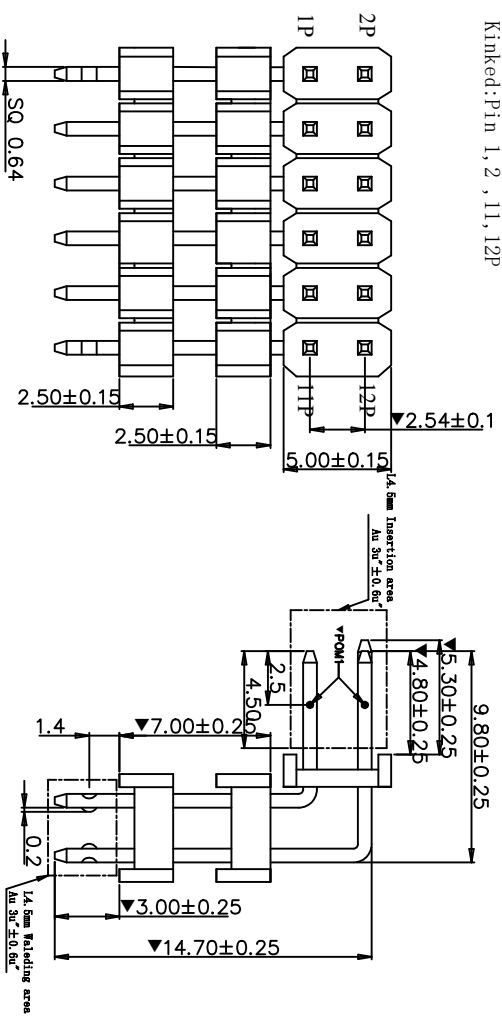


REVISION DATA				
SYM	ECN	DESCRIPTION	DATE	APPROVED



Recommended P.C.B Layout (±0.05)

Note: The Pin 2 is 5.3mm, L24.0mm
Kinked: Pin 1, 2, 11, 12P



- 1, 3u" AU for the entire distance of Pin area (20%tolerance)
- 2, Bag Packing

Ordering information

QHB2	25	3 - P	12	B	G	A	06	A0
QH=Pin Header B=Right Angle Z=NO. of rows	High Option 25: H=2.50mm	Layers of Insulator	No. of Positions 02-80	Plating Option A G/F B Au3u" C Au5u" D Au10u" H GF/Sn120u" S Sn120u" Z Special (Underline option is standard)	Insulator Material Option A BK-PBT C BK-PA6T E BK-LCP S BK-PA6T Z Special (Underline option is standard)	A=General Insulator Type	Serial No. 01-999	Bag Packing

natconn 广东纳特康电子股份有限公司
GUANGDONG NATCONN ELECTRONIC CO.,LTD

TOLERANCE: ANGLE ±2°	PROJECTION	TITLE: 2.54*2.54mm Pin Header Dual Row Right Angle
X.XXX ±0.05	DATE: 2019.12.14	CUSTOMER: N/A
X.XX ±0.20	DRAWN: 莫健勇	CUSTOMER P/N: N/A
X.X ±0.30	CHECKED	PART NO.: QHB2255-P-12BGA06-A0
X. ±0.50	APPROVED	SIZE: A4 UNIT: mm SCALE: 1:1 SHEET: 1/1