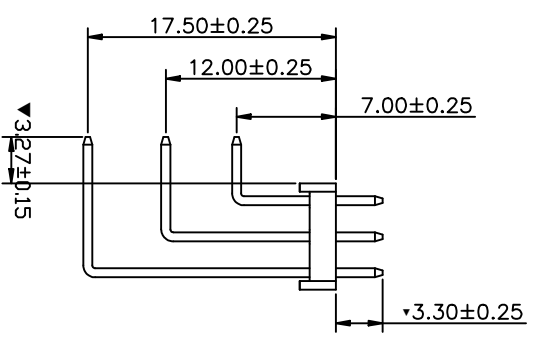
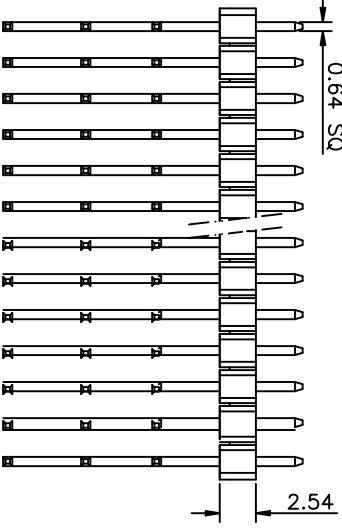
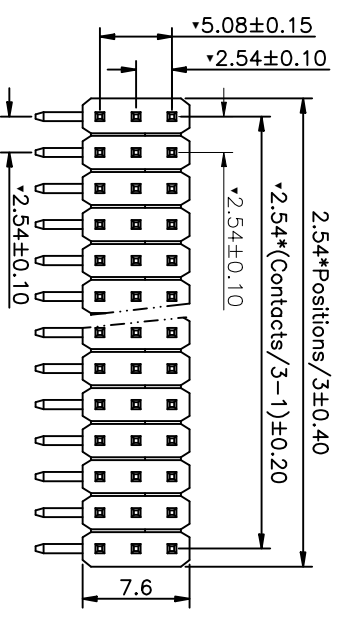


CUSTOMER COPY



REVISION DATA				
SYM	ECN	DESCRIPTION	DATE	APPROVED



Technical Data

1.Material:

- 1.1 Contact: Brass,Au or Sn plated Over 50μ" Nickel
- 1.2 Insulator(Standard):PBT+30%G.F,Black,UL94V-0

2.Electrical:

- 2.1 Current rating:3.Amps/contact max.
- 2.2 Contact resistance: ≤20mΩ/contact
- 2.3 Insulation resistance: ≥1000MΩ at V=100V
- 2.4 Withstanding Voltage:550V AC/minute

3.Mechanical:

- 3.1 Retention force:1.0Kgf/contact min.
 - 3.2 Operating temperature: -55°C to+105°C(Gold Plated)
 - 3.3 Soldering temperature: +220°C,10s max.(PBT)
- 4.Critical Dimensions: ▼**
- 5.PIN L1=14.50mm,L2=22.0mm,L3=30.1mm

Recommended PCB Hole Layout

Ordering information(Part No.)

QHB3	25	1	P	XX	X	X	A	06
High Option 17: H=1.7mm 25: H=2.54mm		No. of Positions 01-40		Plating Option A Au3μ" B Au5μ" C Au10μ" D GF/Sn120μ" S Sn120μ" Z Special		Insulator Material Option A BK-PBT C BK-PA6 D BK-PA6 F BK-LCP S Special		Serial 01-999

Packing		TOLERANCE: ±2°		TITLE:	
1.General	√	ANGLE	±2°	2.54*2.54MM PIN HEADER THREE ROW	
2.Tape&Reel		DATE	11-11-2010	RIGHT ANGLE W=7.54MM,B=7.0	
3.Tube		DRAWN	che	CUSTOMER:	na
4.Tray		CHECKED		PARTNO.:	na
5.Other		APPROVED		DRAWING NO.:	QHB3251PA06
				SIZE:	A4
				UNIT:	mm
				SCALE:	2:1
				SHEET:	1/1

natconn 深圳市纳特康电子有限公司
SHENZHEN NATCONN ELECTRONIC CO.,LTD