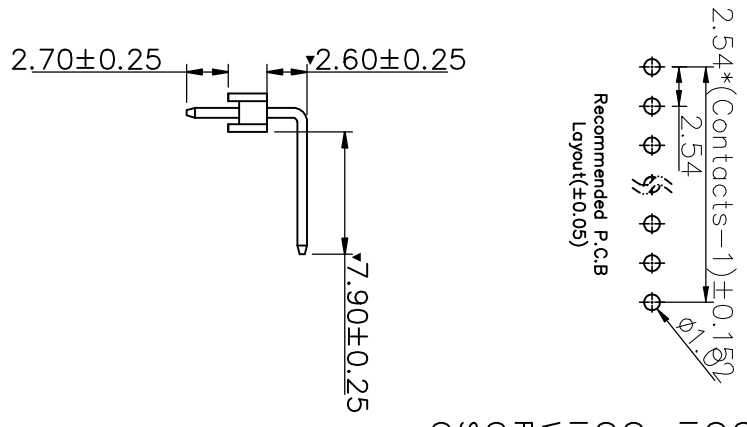
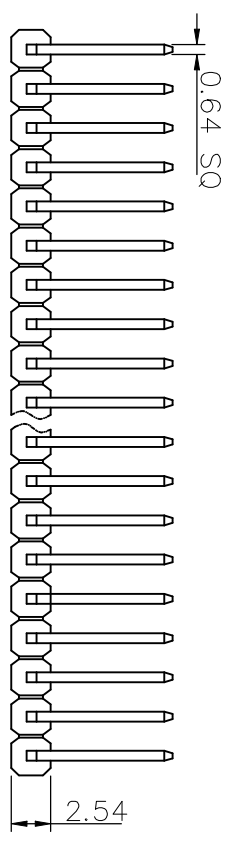


CUSTOMER COPY

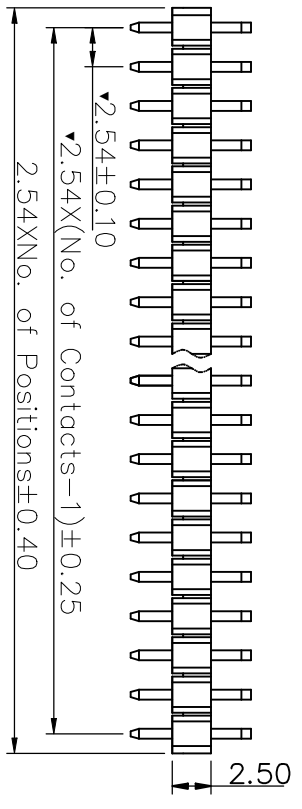


| REVISION DATA | | | | |
|---------------|-----|-------------|------|----------|
| SYM | ECN | DESCRIPTION | DATE | APPROVED |
| | | | | |
| | | | | |



Recommended P.C.B Layout(±0.05)

Technical Data
 Contact: brass JIS C2700(Cuzn35)
 Contact plating: see ordering information
 Insulator: black glass filled polyester UL94V-0
 Current rating: 3Amps
 Contact resistance: 20mΩ max.
 Insulation resistance: 1000MΩ min. at 100V
 Withstanding Voltage: 550V AC/minute
 Retention force: 0.8Kgf/contact per layer min.
 Operating temperature: -55°C to +105°C
 Soldering temperature: 245°C±5° 5S
 Critical Dimensions: ▼



Ordering information

QHB1 25 1 -P XX X X B 391

High Option
25: H=2.50mm

Insulator Quantity
1 IPC
2 JPCS
3 SPCS
...

No. of Positions
01-40

Plating Option
A: G/E
B: Au3μ"
C: Au5μ"
D: Au10μ"
H: GF/Sn120μ"
S: Sn120μ"
Z: Special (Underline option is standard)

Insulator Material Option
A: BK-PBT
F: BK-LCP
G: BK-PAET
S: Special (Underline option is standard)

Serial No.
001-999

| Packing | TOLERANCE: | PROJECTION | TITLE: |
|--------------|-------------|------------|------------------------|
| 1. General | ANGLE ±2° | DATE | 2.54mm Pin Header |
| 2. Tape&Reel | X.XXX ±0.05 | DRAWN | Single Row Right Angle |
| 3. Tube | X.XX ±0.25 | CHECKED | CUSTOMER: N/A |
| 4. Tray | X.X ±0.35 | APPROVED | PART NO.: N/A |
| 5. Other | X. ±0.50 | | CUSTOMER P/N: N/A |

natconn 广东纳特康电子股份有限公司
 GUANGDONG NATCONN ELECTRONIC CO.,LTD