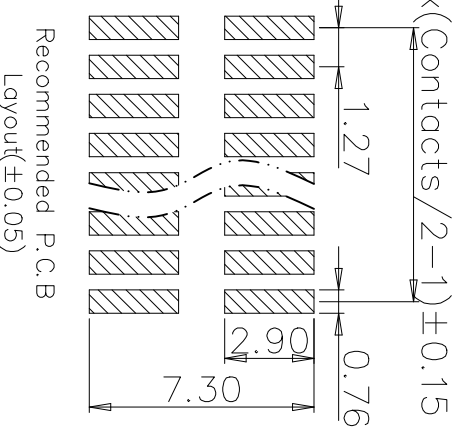
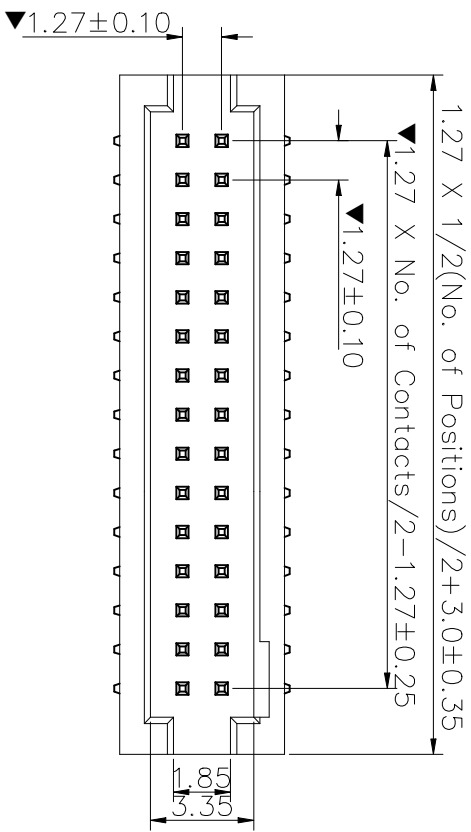


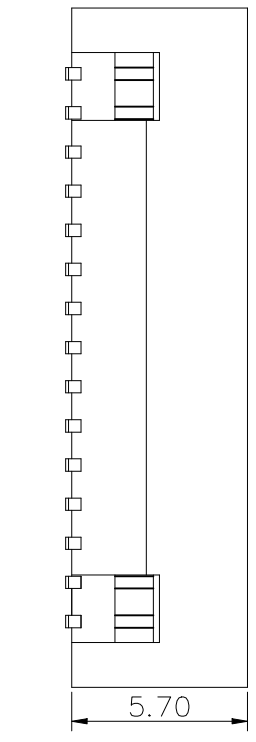
CUSTOMER COPY



REVISION DATA				
SYM	ECN	DESCRIPTION	DATE	APPROVED



Technical Data
 Contact: brass JIS C2700(Cuzn35)
 Contact plating: see ordering information
 Insulator: black glass filled polyester UL94V-0
 Current rating: 1.0Amps
 Contact resistance: 20mΩ max.
 Insulation resistance: 1000MΩ min. at 100V
 Withstanding Voltage: 300V AC/minute
 Retention force: 0.45Kgf/contact min.
 Operating temperature: -55°C to +105°C
 Soldering temperature: 260°C ± 5° SS
 Critical Dimensions: ▼



Recommended P.C.B Layout(±0.05)

Ordering information

BED
 XX
 X
 X
 X
 04

No. of Positions: 10-100

Plating Option:
 A. G/F
 B. Au/Ag
 C. Au/Ag
 D. Au/10u
 H. G/F/Sr 120u
 S. Sn120u
 Z. Special (Underline option is standard)

Insulator Material Option:
 F. BK-LCP
 G. BK-PA9T
 S. Special (Underline option is standard)

Type Option:
 A. Normal
 B. With pad
 C. With CAP
 D. With pad & CAP

Series No. 01-999

Packing

1. General	
2. Tape & Reel	
3. Tube	
4. Tray	✓
5. Other	X.

natconn® 广东纳特康电子股份有限公司
 GUANGDONG NATCONN ELECTRONIC CO.,LTD

TOLERANCE: ANGLE ±2°	PROJECTION	TITLE: Pitch 1.27mm * H5.4 Box Header SMT Type, W2=5.7
DATE: 2008/06/16	DRAWN: 邹娜婷	CUSTOMER: N/A
CHECKED: 于松	CHECKED: 于松	PART NO.: N/A
APPROVED: 张丰志	APPROVED: 张丰志	DRAWING NO.: BEDXX-XXA04
SIZE: A4	UNIT: mm	SCALE: 1:1
		SHEET: 1/1