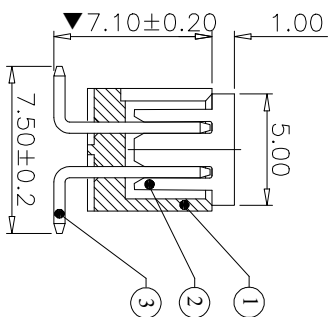
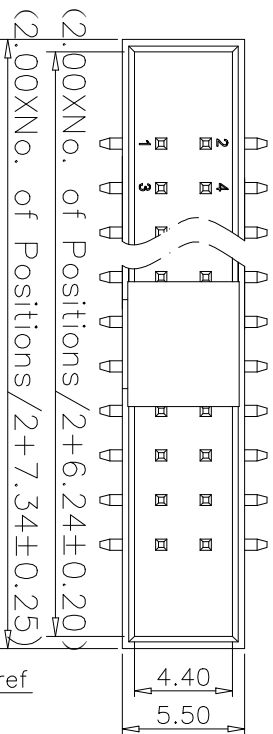
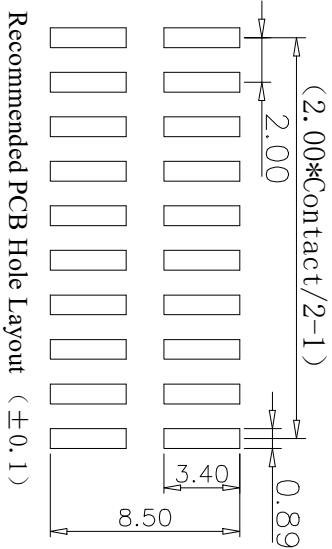




REVISION DATA				
SYM	ECN	DESCRIPTION	DATE	APPROVED
B		Change Pin Length	2010-09-06	Sullen



- Technical Data**
- 1. Material:**
- 1.1 Contact: Brass, Au plated Over Nickel
  - 1.2 Housing: LCP+30%G.F, Black, UL 94V-0, RoHS
  - 1.3 Cap: PA6T+30%G.F, Black, UL 94V-0, RoHS
- 2. Electrical:**
- 2.1 Current rating: 1.5Amps/contact max.
  - 2.2 Contact resistance:  $\leq 20\text{m}\Omega$ /contact
  - 2.3 Insulation resistance:  $\geq 1000\text{M}\Omega$  at  $V=100\text{V}$
  - 2.4 Withstanding Voltage: 450V AC/minute
- 3. Mechanical:**
- 3.1 Retention force: 0.Kgf/contact min.
  - 3.2 Operating temperature: -55°C to +105°C
  - 3.3 Soldering temperature: +260°C, 10S max
- 4. Critical Dimensions: ▼**
- 5. PIN L=9.2mm



Ordering information (Part No.)

BFD

XX

X

X

C

02

No. of Positions 10-66	Plating Option A G/F B Au3μ" C Au5μ" D Au10μ" E Au15μ" S Special	Insulator Material Option A BK-PBT B BK-PA66 C BK-PA6T D BK-PA46 F BK-LCP G BK-PA9T S Special	Pin Length 01-99
---------------------------	--	--	---------------------

ITEM	NAME	DESCRIPTION	Q'TY	UNIT	REMARK
3	Terminal	0.5 SQ*1.9.2 Brass, plating see ordering information	No. of positions	PC	
2	Cap	Cap L5.6*W5.0*H4.5, Black, PA6T	1	PC	
1	Housing	2.0*H15.6 Box Header, Black, LCP, position see ordering information	1	PC	

**natconn**®

广东纳特康电子股份有限公司  
GUANGDONG NATCONN ELECTRONIC CO.,LTD

Packing		TITLE:	
1. General	√	Pitch: 2.00*2.00mm Box Header	
2. Tape & Reel		SMT Type, W2=7.5mm	
3. Tube		DATE: 2019/11/13	
4. Tray		DRAWN: LYM	
5. Other		CHECKED: APPROVED	
		SIZE: A4	UNIT: mm
		SCALE: 1:1	SHEET: 1/1

A

B

C

D

A

B

C

D

6

5

4

3

2

1

6

5

4

3

2

1