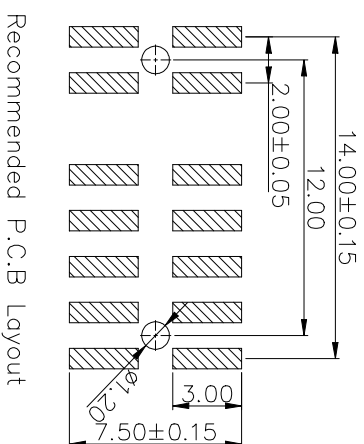
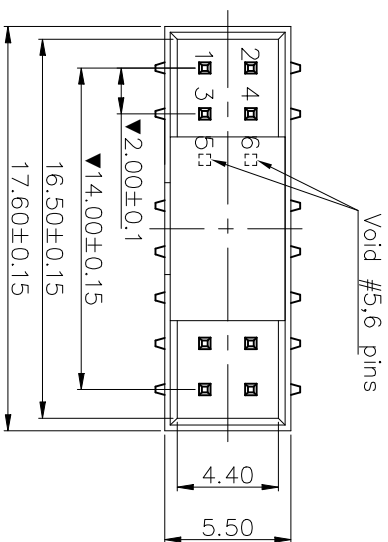
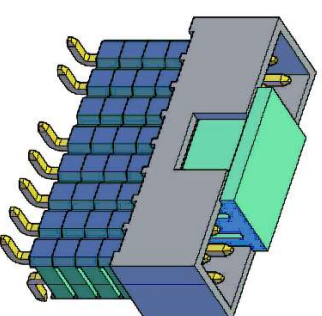
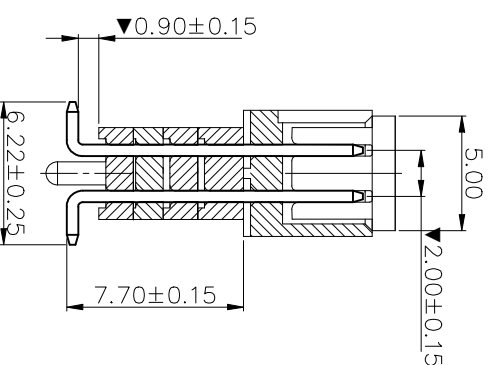
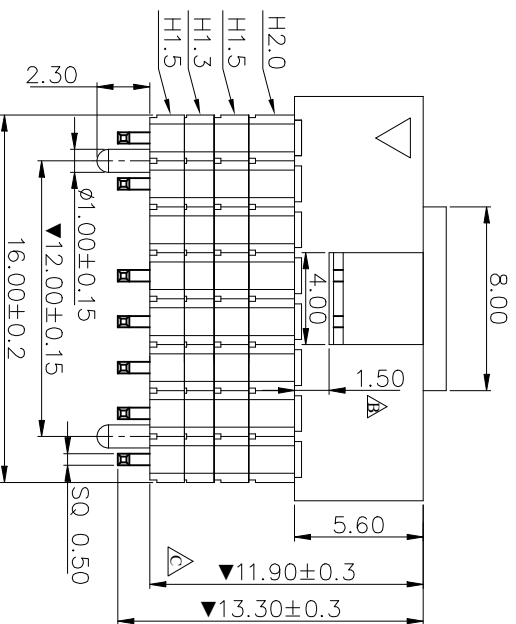


| REVISION DATA | | | | |
|---------------|-----|-------------|------------|----------|
| SYM | ECN | DESCRIPTION | DATE | APPROVED |
| B | | 根据客户要求修改尺寸 | 2017/11/07 | 王伟超 |
| C | | 根据实物修改尺寸公差 | 2025.8.27 | 莫健勇 |



Recommended P.C.B Layout

技术参数:
 五金: 黄铜JIS C2700 (H65)
 接触镀层: 见订购信息黑色
 绝缘体: PA9T+30%G.F UL94V-0
 当前额定值: 1.5安培
 接触电阻: 最大20mΩ。
 绝缘电阻: 100V时最小1000MΩ
 耐受电压: 450V AC/分钟
 保持力: 3Kgf/触点最小值。
 工作温度: -55°C至+105°C
 焊接温度: 260°C±5°C 5S
 关键尺寸: ▼



Ordering information(Part No.)

BFD - **X** - **X** **C** **21**

No. of Positions
04-64

Plating Option
A G/F
B Au3u"
C Au5u"
D Au10u"
H GF/Sn120u"
S Sn120u"
Z Special

Insulator Material Option
F BK-LCP
G BK-PA9T
S Special

Serial No.
01-99

Packing

- General
- Tape&Reel
- Tube
- Tray
- Other

natconn® 广东纳特康电子股份有限公司
 GUANGDONG NATCONN ELECTRONIC CO.,LTD

| TOLERANCE: | | PROJECTION | | TITLE: | |
|------------|-------------|------------|-----------|--|---------|
| ANGLE ±2° | X.XXX ±0.05 | DATE | 2025.8.27 | Pitch2.00 Box Header With Pin Header Smt Type:With Post & Cap | |
| DRAWN | X.XX ±0.15 | CUSTOMER: | N/A | CUSTOMER P/N: | N/A |
| CHECKED | X.X ±0.25 | PART NO.: | | DRAWING NO.: | BFD-C21 |
| APPROVED | X. ±0.50 | APPROVED | | SCALE: | 1:1 |
| | | SIZE: | A4 | UNIT: | mm |
| | | SCALE: | 1:1 | SHEET: | 1/1 |

