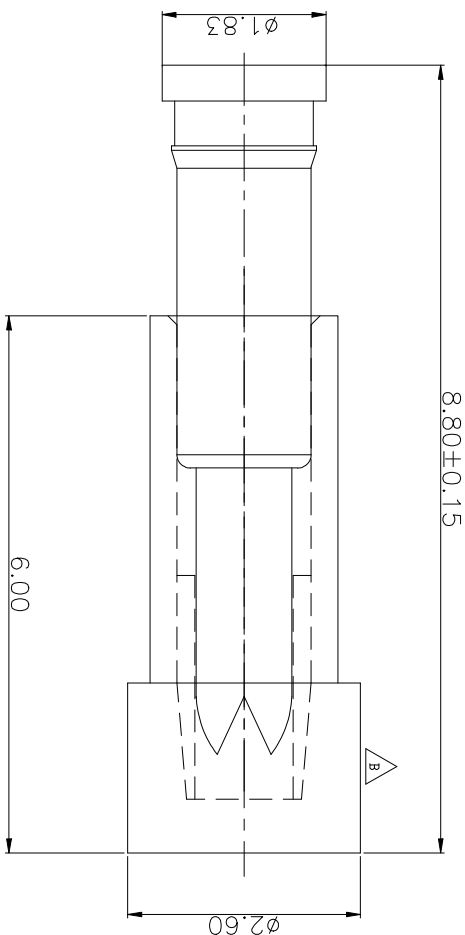
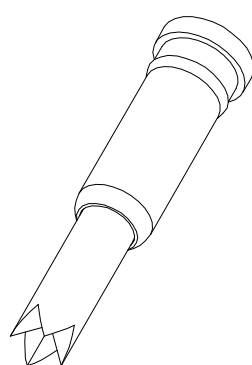
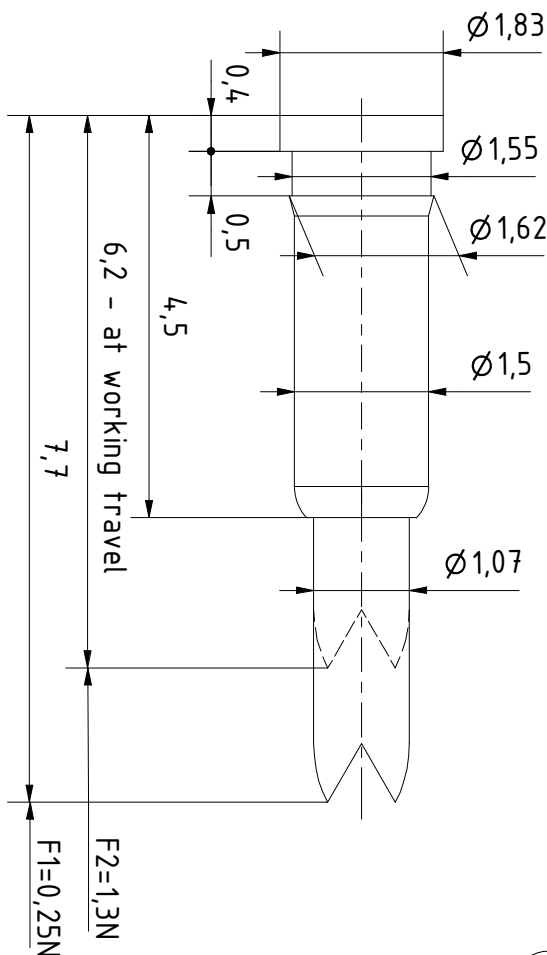




REVISION DATA				DATE	APPROVED
SYM	ECN	DESCRIPTION	DATE	APPROVED	
B		增加盖子, 材质Be-Cu变更C17200 Be-Cu 2024/7/09	2024/7/09	班洪德	



Pre-load
Federvorspannung
Spring force
Nennfederkraft

F1: 0,25N

F2: 1,3 N \pm 20% at working travel: 1,5mm
bei Arbeitshub
max. permissible travel: 1,9mm
max. zulässiger Hub

Material : C17200 Be-Cu ∇_B
Finish: Au 40u", Ni 50-120u"

Packing	
1. General	<input checked="" type="checkbox"/>
2. Reel	<input type="checkbox"/>
3. Tube	<input type="checkbox"/>
4. Tray	<input type="checkbox"/>
5. Other	<input type="checkbox"/>

matconn®

广东纳特康电子股份有限公司
GUANGDONG NATCONN ELECTRONIC CO.,LTD

TOLERANCE: ANGLE $\pm 2^\circ$		PROJECTION		TITLE:	
X.XXX $\pm 0,15$	DATE	2024/03/22	CUSTOMER:	POGO PIN	
X.XX $\pm 0,30$	DRAWN	班洪德	N/A	CUSTOMER P/N:	N/A
X.X $\pm 0,40$	CHECKED	莫健勇	PART NO.:	DRAWING NO.:	PP-0177-11
X. $\pm 0,40$	APPROVED	冯显东	SIZE: A4	UNIT: mm	SCALE: 1:1
					SHEET: 1/1