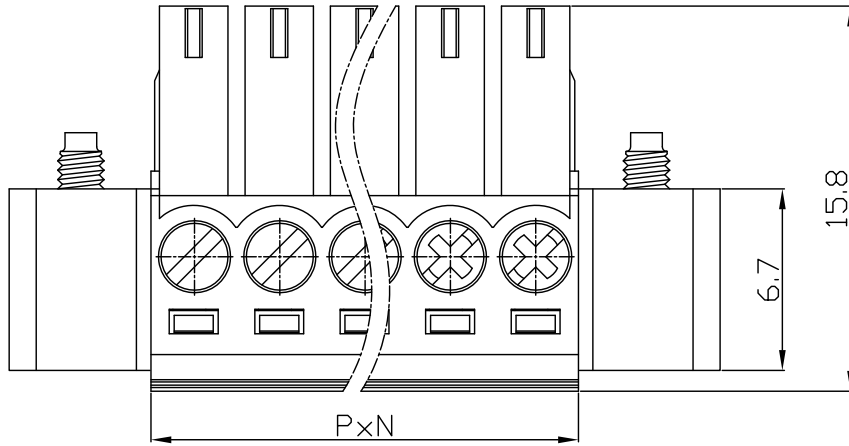


CUSTOMER COPY

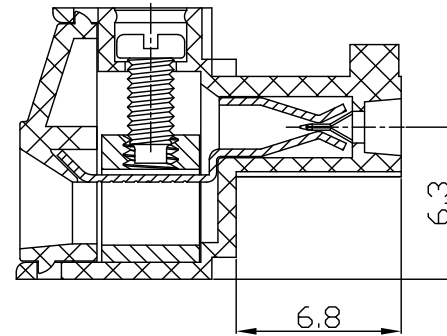
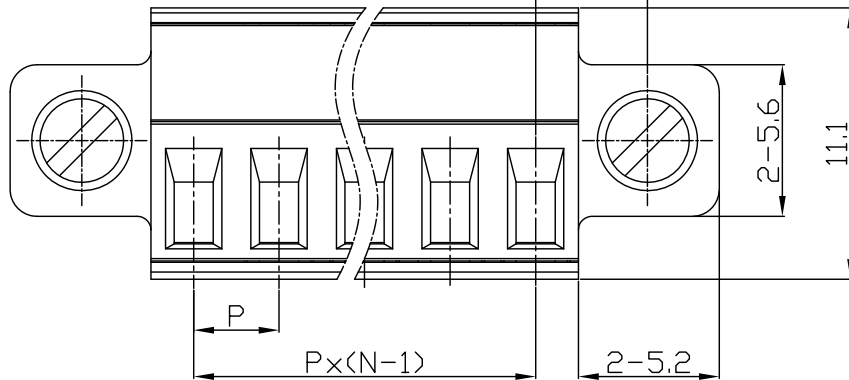


REVISION DATA

SYM	ECN	DESCRIPTION	DATE	APPROVED



2-4.3(P=3.50)  
2-4.5(P=3.81)



Technical Data

1.Material:

Insulator:NY66,UL94V-0 RoHS  
Contact clamp:phosphor bronze,nickel plated  
Cage clamp:brass(CuZn),nickel plated  
Screw:steel M2,galvanized plated

2.Electrical:

Current rating:10A  
Voltage rating:300V  
Contact resistance: $\leq 20m\Omega$   
Insulation resistance: $\geq 5000M\Omega$   
Withstanding Voltage:1600V AC/minute

3.Mechanical:

Wire range:26~16AWG  
Screw torque:2.5Lb-in  
Wire strip length:6-7mm  
Operating temperature:-40°C to+105°C  
Safety approval: E355923

Ordering information

<b>PJB</b>	<b>XX</b>	<b>X</b>	<b>X</b>	<b>X</b>	<b>2</b>	<b>X</b>	<b>00</b>
Number of contacts	Pitch	Screw & Clamp	Color	Body type	Mark	Serial No.	
02~24 (Solid block)	4 3.5/.138" 5 3.81/.15"	0 "-/+" Combination type w/ brass machined clamp 1 "-Slot type w/ brass machined clamp	0 Black 3 Orange <u>5 Green</u> 6 Blue 8 Grey (Underline is standard)	2 With flange	0 No mark 1 natconn 2 Customer 3 Others	00 Standard 01~99 Any special item by customer request	

**natconn**® 广东纳特康电子股份有限公司  
GUANGDONG NATCONN ELECTRONIC CO.,LTD

TOLERANCE:	PROJECTION	TITLE:	PJB Terminal Block		
ANGLE $\pm 2^\circ$	DATE	2014/08/28			
X.XXX $\pm 0.01$	DRAWN	Sullen	CUSTOMER:	CUSTOMER P/N:	REV:
X.XX $\pm 0.25$	CHECKED	唐建平	N/A	N/A	N/A
X.X $\pm 0.35$	APPROVED	冯显东	PART NO.:	DRAWING NO.:	REV:
X. $\pm 0.50$				PJBXXXXX2X00	A
			SIZE:	UNIT:	SCALE:
			A4	mm	1:1
					SHEET:
					1/1