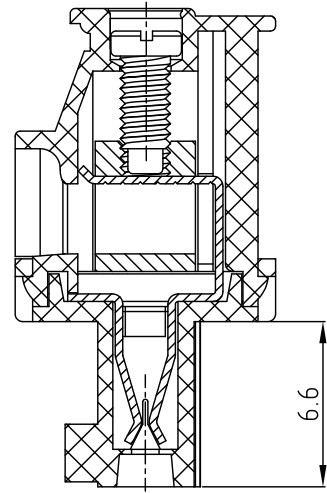
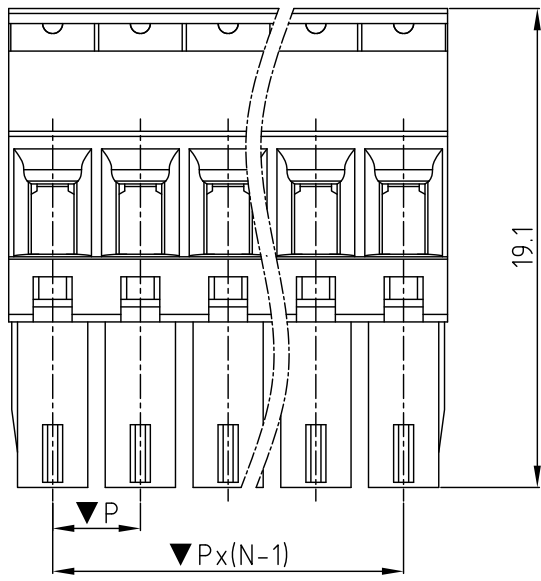
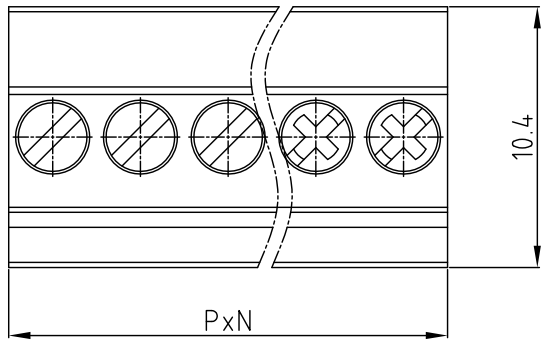


CUSTOMER COPY



REVISION DATA				
SYM	ECN	DESCRIPTION	DATE	APPROVED



Technical Data

- Material:
  - Insulator: NY66, UL94V-0 RoHS
  - Contact clamp: phosphor bronze, nickel plated
  - Cage clamp: brass (CuZn), nickel plated
  - Screw: steel M2, galvanized plated
- Electrical:
  - Current rating: 10A
  - Voltage rating: 300V
  - Contact resistance:  $\leq 20m\Omega$
  - Insulation resistance:  $\geq 5000M\Omega$
  - Withstanding Voltage: 1600V AC/minute
- Mechanical:
  - Wire range: 26~16AWG
  - Screw torque: 2.5Lb-in
  - Wire strip length: 6-7mm
  - Operating temperature: -40°C to +105°C
  - Safety approval: file No.: E355923
- Critical Dimensions: ▼

Ordering information

PLA	XX	X	X	X	A	X	00
Number of contacts		Pitch	Screw & Clamp	Color	Body type	Mark	Serial No.
02~24 (Solid block)	4 3.5/.138" 5 3.81/.15"	0 "-/+" Combination type w/ brass machined clamp 1 "-Slot type w/ brass machined clamp	0 Black 3 Orange 5 Green 6 Blue 8 Grey (Underline is standard)	A Hook on entry side (Underline is standard)	0 No mark 1 natconn 2 Customer 3 Others	00 Standard 01~99 Any special item by customer request	

**natconn**® 广东纳特康电子股份有限公司  
GUANGDONG NATCONN ELECTRONIC CO.,LTD

TOLERANCE:	PROJECTION	TITLE:
ANGLE $\pm 2^\circ$	DATE 2011/02/05	PLA Terminal Block, A Type
X.XXX $\pm 0.01$	DRAWN Sullen	CUSTOMER: N/A
X.XX $\pm 0.25$	CHECKED 唐建平	CUSTOMER P/N: N/A
X.X $\pm 0.35$	APPROVED 冯显东	PART NO.:
X. $\pm 0.50$		DRAWING NO.: PLAXXXXAX00
		REV: A
		SIZE: A4
		UNIT: mm
		SCALE: 4:1
		SHEET: 1/1