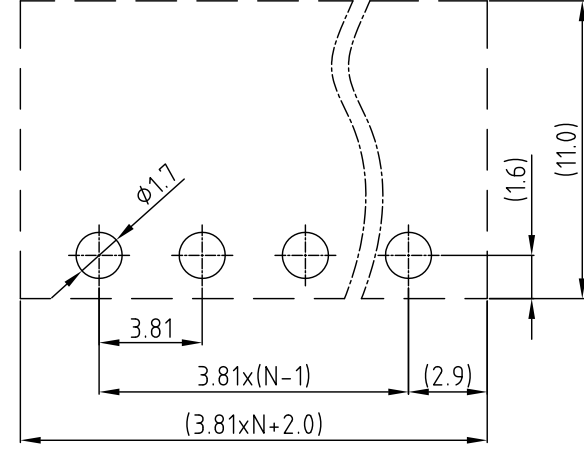
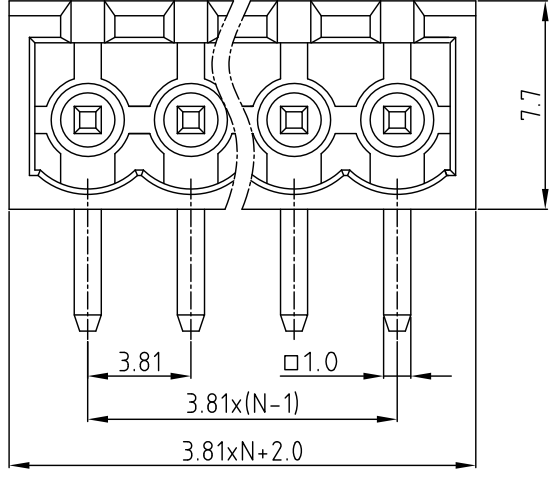


CUSTOMER COPY



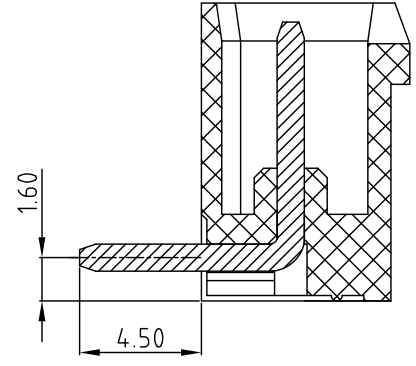
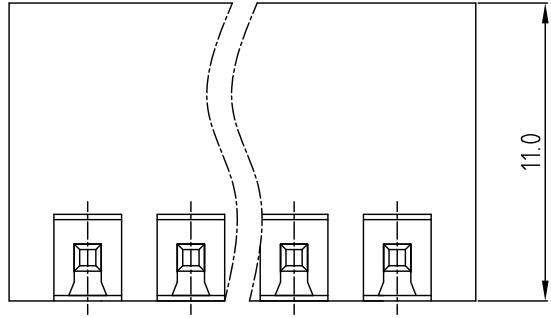
REVISION DATA				
SYM	ECN	DESCRIPTION	DATE	APPROVED



Remmended P.C.B Layout

Technical Data

- 1.Material:
 - Insulator:NY66,UL94V-0 RoHS
 - Solder pin:brass,tin plated
- 2.Electrical:
 - Current rating:10A
 - Voltage rating:300V
 - Contact resistance: $\leq 20m\Omega$
 - Insulation resistance: $\geq 5000M\Omega$
 - Withstanding Voltage:1600V AC/minute
- 3.Mechanical:
 - Operaing temperature:-40°C to+105°C
 - Soldering temperature: 245°C $\pm 10^\circ\text{C}/5\text{S}$



Ordering information

POA	XX	5	1	X	0	X	00
Number of contacts		Pitch	Body type	Color	P.C.B mounting	Mark	Serial No.
02~24 (Solid block)	5 3.81/.15"	1 Close	0 Black 3 Orange <u>5 Green</u> 6 Blue 8 Grey (Underline is standard)	0 Right angle	0 No mark 1 natconn 2 Customer 3 Others	00 Standard 01~99 Any special item by customer request	

natconn® 深圳市纳特康电子有限公司
SHENZHEN NATCONN ELECTRONIC CO.,LTD

TOLERANCE:	PROJECTION		TITLE: POA Terminal Block,R/A Type		
ANGLE $\pm 2^\circ$	DATE	2011/11/05			
X.XXX ± 0.01	DRAWN	Sullen	CUSTOMER: N/A	CUSTOMER P/N: N/A	REV: N/A
X.XX ± 0.25	CHECKED		PART NO.:	DRAWING NO.: POAXX51X0X00	REV: A
X.X ± 0.35	APPROVED		SIZE: A4	UNIT: mm	SCALE: 4:1
X. ± 0.50					SHEET: 1/1