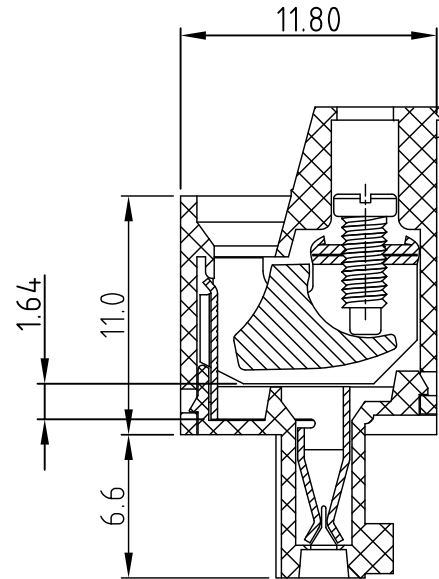
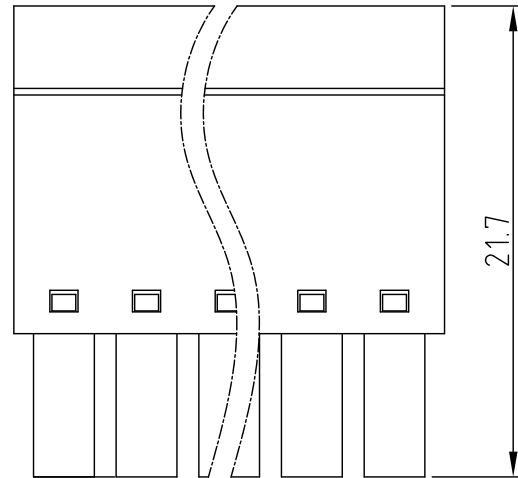
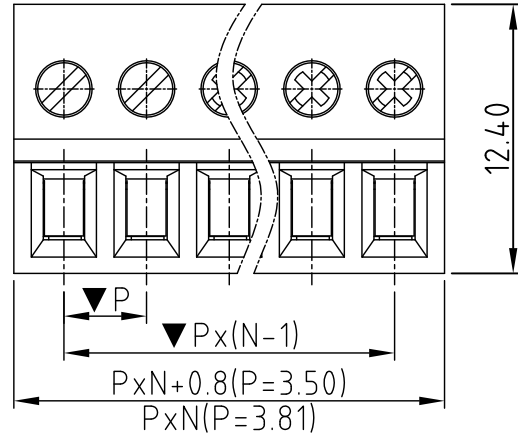


CUSTOMER COPY



REVISION DATA				
SYM	ECN	DESCRIPTION	DATE	APPROVED



Technical Data

1. Material:

Insulator: NY66, UL94V-0 RoHS  
 Contact clamp: phosphor bronze, nickel plated  
 Wire clamp: steel, zinc plated  
 Screw: Brass M2, galvanized plated

2. Electrical:

Current rating: 10A  
 Voltage rating: 300V  
 Contact resistance:  $\leq 20m\Omega$   
 Insulation resistance:  $\geq 5000M\Omega$   
 Withstanding Voltage: 1600V AC/minute

3. Mechanical:

Wire range: 28~16AWG  
 Screw torque: 1.7Lb-in  
 Wire strip length: 6-7mm  
 Operating temperature: -40°C to +105°C  
 Critical Dimensions: ▼

Ordering information

PMA		XX	X	X	X	0	X	00
Number of contacts		Pitch	Screw & Clamp	Color	Body type	Mark	Serial No.	
02~24 (Solid block)	4 3.5/.138" 5 3.81/.15"	4 "-/+" Combination type w/ steel stamping clamp 5 "-Slot type w/ steel stamping clamp	0 Black 3 Orange <u>5 Green</u> 6 Blue 8 Grey (Underline is standard)	0 Without flange	0 No mark 1 natconn 2 Customer 3 Others	00 Standard 01~99 Any special item by customer request		

**natconn**® 广东纳特康电子股份有限公司  
 GUANGDONG NATCONN ELECTRONIC CO.,LTD

TOLERANCE:	PROJECTION		TITLE:		
ANGLE $\pm 2^\circ$	DATE	2011/11/05	PMA Terminal Block		
X.XXX $\pm 0.01$	DRAWN	Sullen	CUSTOMER:	CUSTOMER P/N:	REV:
X.XX $\pm 0.25$	CHECKED	唐建平	N/A	N/A	N/A
X.X $\pm 0.35$	APPROVED	冯显东	PART NO.:	DRAWING NO.:	REV:
X. $\pm 0.50$				PMA XXXXX0X00	A
			SIZE: A4	UNIT: mm	SCALE: 1:1
					SHEET: 1/1