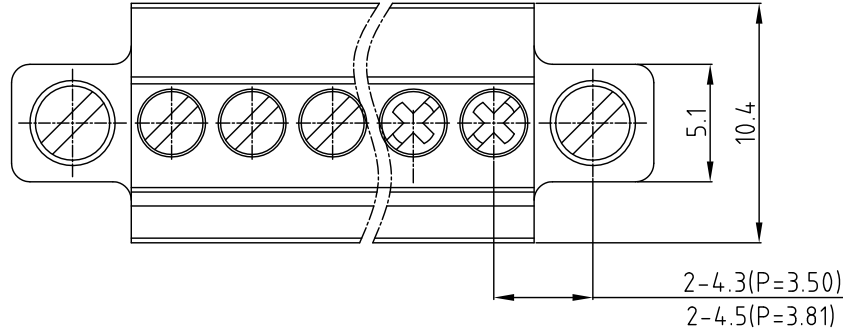


CUSTOMER COPY

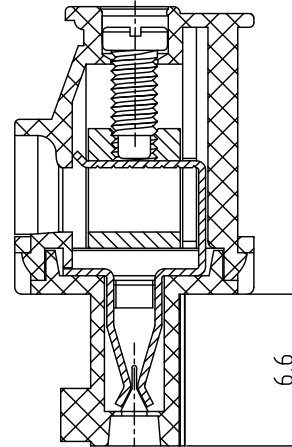
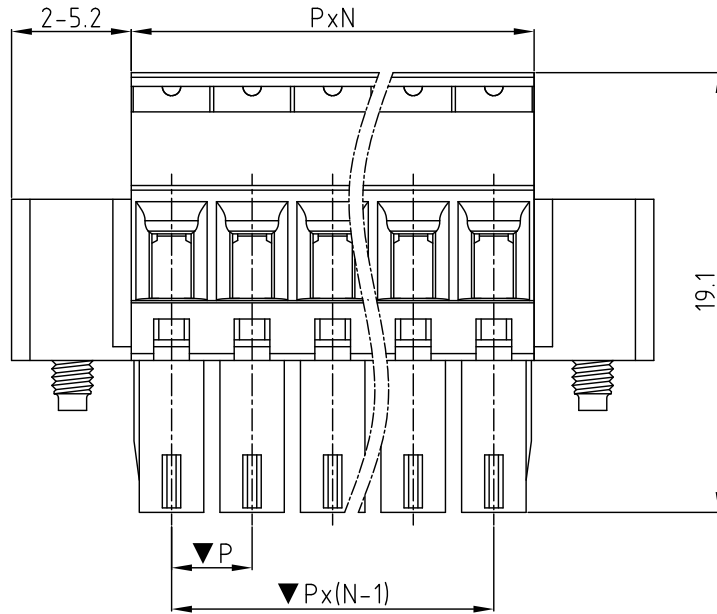


REVISION DATA				
SYM	ECN	DESCRIPTION	DATE	APPROVED



Technical Data

- Material:
 - Insulator: NY66, UL94V-0 RoHS
 - Contact clamp: phosphor bronze, nickel plated
 - Cage clamp: brass (CuZn), nickel plated
 - Screw: steel M2, galvanized plated
- Electrical:
 - Current rating: 10A
 - Voltage rating: 300V
 - Contact resistance: $\leq 20m\Omega$
 - Insulation resistance: $\geq 5000M\Omega$
 - Withstanding Voltage: 1600V AC/minute
- Mechanical:
 - Wire range: 26~16AWG
 - Screw torque: 2.5Lb-in
 - Wire strip length: 6~7mm
 - Operating temperature: -40°C to +105°C
 - Safely approval: us, file No.: E355923
- Critical Dimensions: ▼



Ordering information

PLB	XX	X	X	X	A	X	00
Number of contacts		Pitch	Screw & Clamp	Color	Body type	Mark	Serial No.
02~24 (Solid block)	4 3.5/.138" 5 3.81/.15"	0 "-" / "+" Combination type w/ brass machined clamp 1 "-" Slot type w/ brass machined clamp	0 Black 3 Orange 5 Green 6 Blue 8 Grey (Underline is standard)	<u>A Hook on entry side</u> (Underline is standard)	0 No mark 1 natconn 2 Customer 3 Others	00 Standard 01~99 Any special item by customer request	

natconn ® 广东纳特康电子股份有限公司 GUANGDONG NATCONN ELECTRONIC CO.,LTD					
TOLERANCE:	PROJECTION		TITLE: PLB Terminal Block, A Type		
ANGLE $\pm 2^\circ$	DATE	2011/11/05			
X.XXX ± 0.01	DRAWN	Sullen	CUSTOMER:	N/A	REV: N/A
X.XX ± 0.25	CHECKED	唐建平	CUSTOMER P/N:	N/A	REV: N/A
X.X ± 0.35	APPROVED	冯显东	PART NO.:	PLBXXXXXXA00	REV: A
X. ± 0.50			SIZE:	A4	UNIT: mm
			SCALE:	4:1	SHEET: 1/1