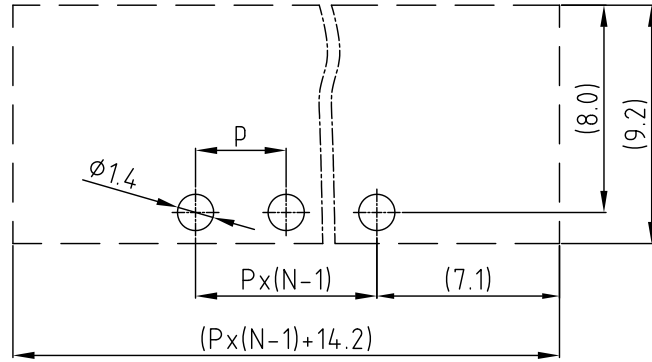
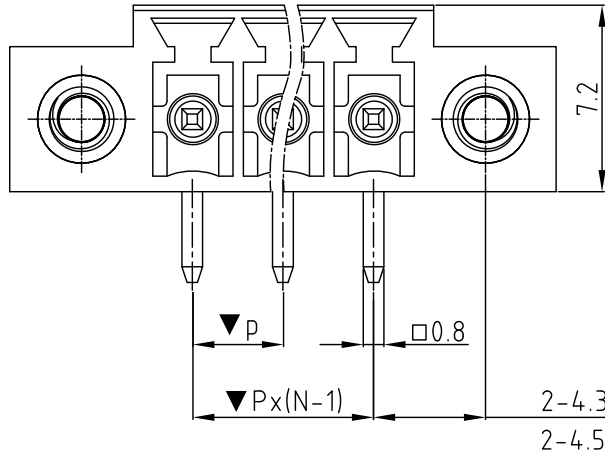


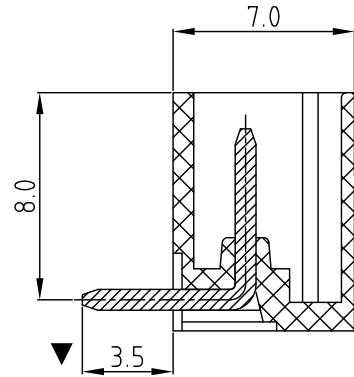
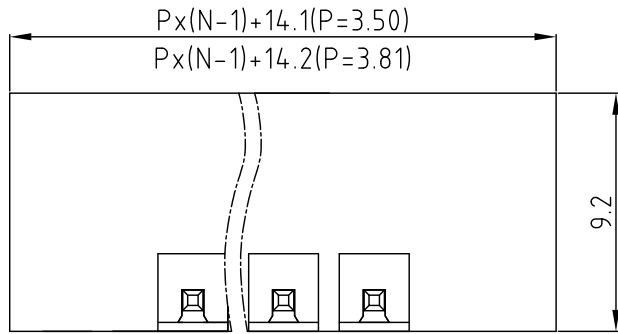
CUSTOMER COPY



REVISION DATA				
SYM	ECN	DESCRIPTION	DATE	APPROVED



Recommended P.C.B Layout



Technical Data

1. Material:

Insulator: NY66, UL94V-0 RoHS  
Solder pin: brass, tin plated

2. Electrical:

Current rating: 10A  
Voltage rating: 300V  
Contact resistance:  $\leq 20m\Omega$   
Insulation resistance:  $\geq 5000M\Omega$   
Withstanding Voltage: 1600V AC/minute

3. Mechanical:

Operating temperature:  $-40^{\circ}C$  to  $+105^{\circ}C$   
Soldering temperature:  $245^{\circ}C \pm 10^{\circ}C/5S$

Safely approval: , file No.: E35592

4. Critical Dimensions: ▼

Ordering information

PNC		XX	X	X	X	0	X	00
Number of contacts		Pitch	Body type	Color	P.C.B mounting	Mark	Serial No.	
02~24 (Solid block)	4 3.5/.138" 5 3.81/.15"	<u>2</u> With flange <u>5</u> With flange THT (Underline is standard)	0 Black (for THT type) 3 Orange <u>5</u> Green 6 Blue 8 Grey (Underline is standard)	0 Right angle	0 No mark 1 natconn 2 Customer 3 Others	00 Standard 01~99 Any special item by customer request		

**natconn**® 广东纳特康电子股份有限公司  
GUANGDONG NATCONN ELECTRONIC CO.,LTD.

TOLERANCE:	PROJECTION	TITLE: PNC Terminal Block, R/A Type		
ANGLE $\pm 2^{\circ}$	DATE: 2011/11/05			
X.XXX $\pm 0.01$	DRAWN: 唐建平	CUSTOMER: N/A	CUSTOMER P/N: N/A	REV: N/A
X.XX $\pm 0.25$	CHECKED: 雷邦军	PART NO.:		DRAWING NO.: PNCXXXXX0X00
X.X $\pm 0.35$	APPROVED: 冯显东	SIZE: A4	UNIT: mm	SCALE: 1:1
X. $\pm 0.50$				SHEET: 1/1