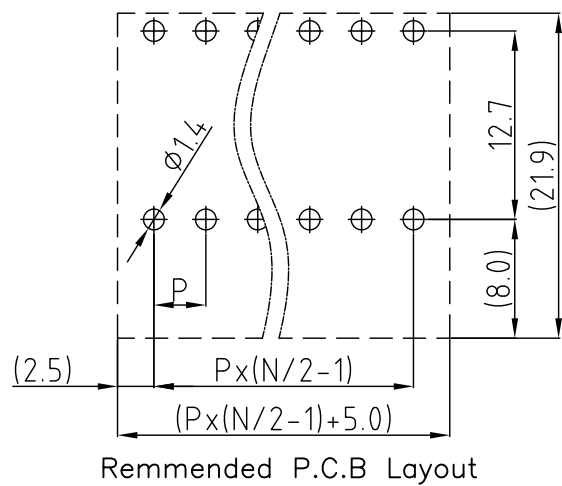
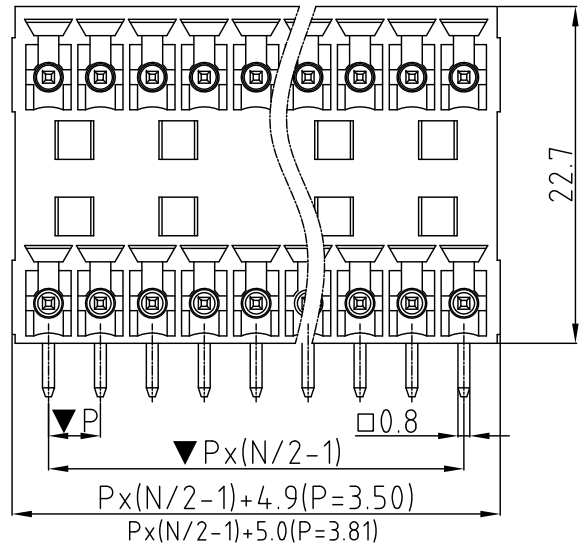


CUSTOMER COPY

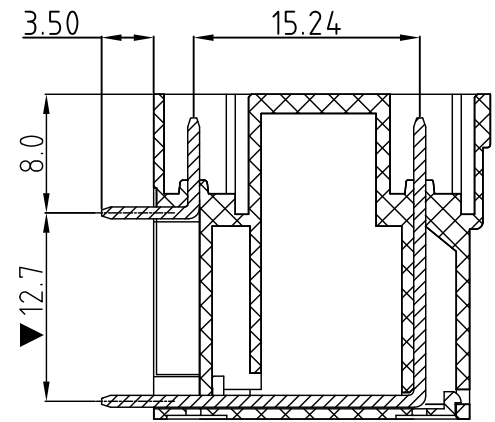
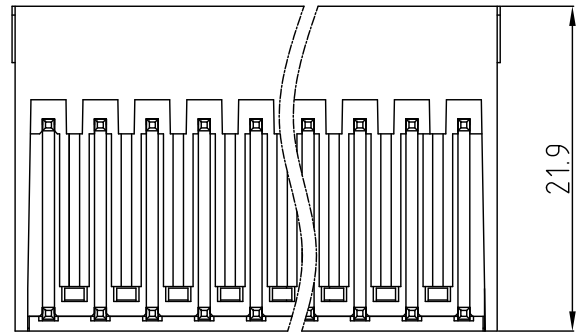


| REVISION DATA |     |             |      |          |
|---------------|-----|-------------|------|----------|
| SYM           | ECN | DESCRIPTION | DATE | APPROVED |
|               |     |             |      |          |
|               |     |             |      |          |



Technical Data

- Material:
  - Insulator: NY66, UL94V-0 RoHS
  - Solder pin: brass, tin plated
- Electrical:
  - Current rating: 10A
  - Voltage rating: 300V
  - Contact resistance:  $\leq 20m\Omega$
  - Insulation resistance:  $\geq 5000M\Omega$
  - Withstanding Voltage: 1600V AC/minute
- Mechanical:
  - Operating temperature:  $-40^{\circ}C$  to  $+105^{\circ}C$
  - Soldering temperature:  $245^{\circ}C \pm 10^{\circ}C / 5S$
- Critical Dimensions: ▼



Ordering information

|                                       |                            |         |   |               |  |   |            |
|---------------------------------------|----------------------------|---------|---|---------------|--|---|------------|
| PPA                                   | XX                         | X       | 1   | X             | 0  | X   | 00         |
| Number of contacts                    |                            | Pitch   | Body type   | Color         | P.C.B mounting                                   | Mark  | Serial No. |
| 04(2x2)~48<br>(2x24)<br>(Solid block) | 4 3.5/.138"<br>5 3.81/.15" | 1 Close | 0 Black<br>3 Orange<br>5 Green<br>6 Blue<br>8 Grey<br>(Underline is standard) | 0 Right angle | 0 No mark<br>1 natconn<br>2 Customer<br>3 Others | 00 Standard<br>01~99 Any special item by customer request |            |

**natconn**® 广东纳特康电子股份有限公司  
GUANGDONG NATCONN ELECTRONIC CO.,LTD.

|                       |            |            |                                     |                           |            |
|-----------------------|------------|------------|-------------------------------------|---------------------------|------------|
| TOLERANCE:            | PROJECTION |            | TITLE: PPA Terminal Block, R/A Type |                           |            |
| ANGLE $\pm 2^{\circ}$ | DATE       | 2011/11/05 |                                     |                           |            |
| X.XXX $\pm 0.01$      | DRAWN      | Sullen     | CUSTOMER: N/A                       | CUSTOMER P/N: N/A         | REV: N/A   |
| X.XX $\pm 0.25$       | CHECKED    | 于松         | PART NO.:                           | DRAWING NO.: PPAXXX1X0X00 | REV: A     |
| X.X $\pm 0.35$        | APPROVED   | 冯显东        | SIZE: A4                            | UNIT: mm                  | SCALE: 4:1 |
| X. $\pm 0.50$         |            |            |                                     |                           | SHEET: 1/1 |