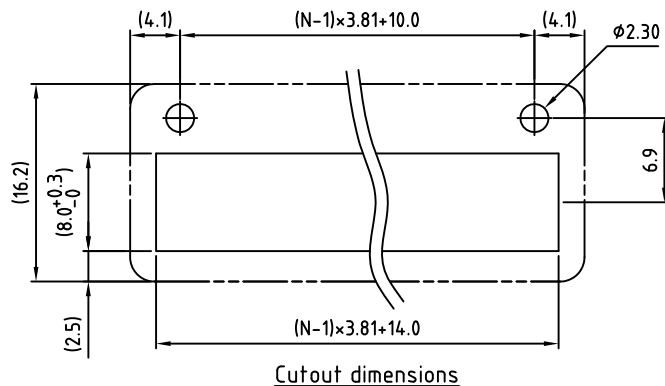
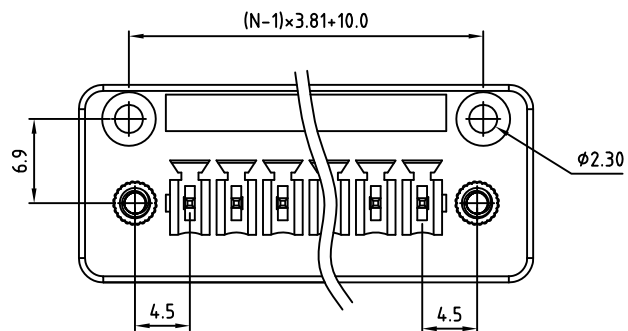


CUSTOMER COPY

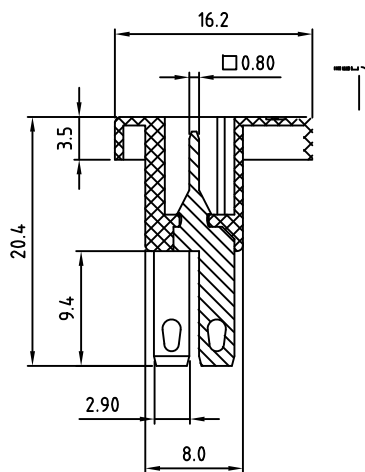
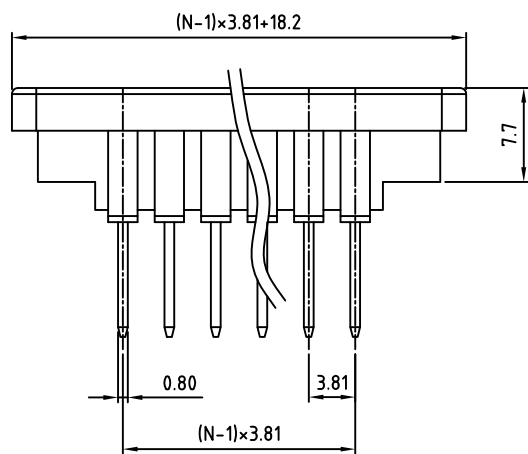


REVISION DATA				
SYM	ECN	DESCRIPTION	DATE	APPROVED



Technical Data

- Material:
  - Insulator: NY66, UL94V-0 RoHS
  - Solder pin: brass, tin plated
- Electrical:
  - Current rating: 10A
  - Voltage rating: 300V
  - Contact resistance:  $\leq 20\text{m}\Omega$
  - Insulation resistance:  $\geq 5000\text{M}\Omega$
  - Withstanding Voltage: 1600V AC/minute
- Mechanical:
  - Operating temperature:  $-30^\circ\text{C}$  to  $+105^\circ\text{C}$
  - Soldering temperature:  $245^\circ\text{C} \pm 10^\circ\text{C}/5\text{S}$
- Critical Dimensions: ▼



N=Number of contacts

Ordering information

PZA	XX	X	X	X	1	X	00
Number of contacts		Pitch	Body type	Color	P.C.B mounting	Mark	Serial No.
02~24 (Solid block)	5 3.81/.15"	1 Close 4 Close THT (Underline is standard)	0 Black (for THT type) 3 Orange 5 Green 6 Blue 8 Grey (Underline is standard)	1 Vertical	0 No mark 1 natconn 2 Customer 3 Others	00 Standard 01~99 Any special item by customer request	

**natconn**® 广东纳特康电子股份有限公司  
GUANGDONG NATCONN ELECTRONIC CO.,LTD

TOLERANCE:	PROJECTION		TITLE:		
ANGLE $\pm 2^\circ$	DATE	2014/07/26	PZA Terminal Block, Vertical Type		
X.XXX $\pm 0.05$	DRAWN	唐建平	CUSTOMER:	N/A	
X.XX $\pm 0.25$	CHECKED	雷邦军	CUSTOMER P/N:	N/A	
X.X $\pm 0.35$	APPROVED	冯显东	PART NO.:	DRAWING NO.:	REV:
X. $\pm 0.50$			PZAXXXXX1X00		N/A
			SIZE: A4	UNIT: mm	SCALE: 1:1
					SHEET: 1/1