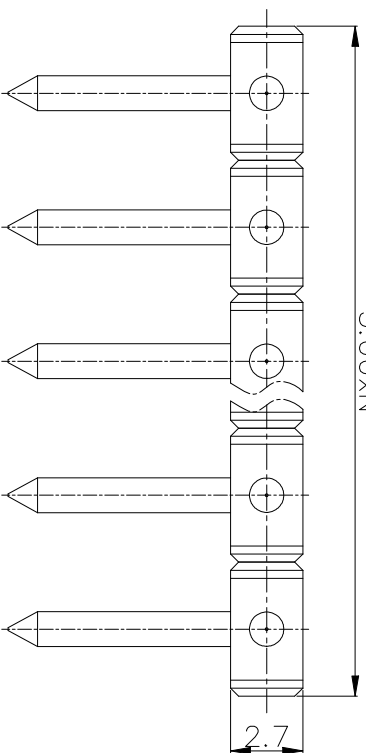


CUSTOMER COPY

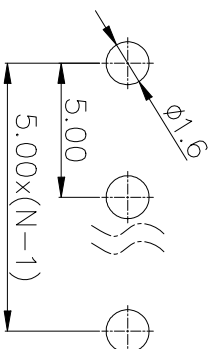
5.00xN



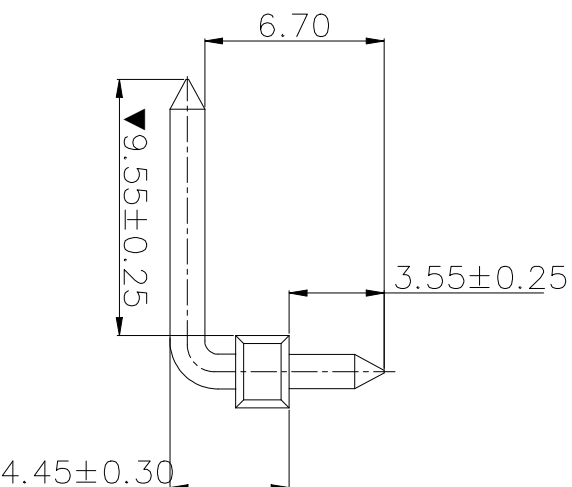
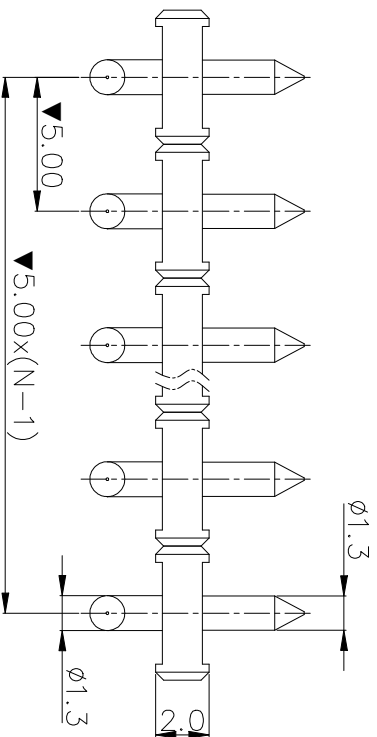
REVISION DATA				
SYM	ECN	DESCRIPTION	DATE	APPROVED

Technical Data

1. Material:
Insulator: PA9T, UL94V-0 RoHS
Solder pin: brass, tin plated
2. Electrical:
Current rating: 15A
Voltage rating: 300V
Contact resistance: $\leq 20m\Omega$
Insulation resistance: $\geq 5000M\Omega$
Withstanding Voltage: 1600V AC/minute
3. Mechanical:
storage temperature: -25°C to +85°C
Humidity: 25%~85%
Operating temperature: -40°C to +105°C
Soldering temperature: 245°C \pm 10°C/5S
4. Critical Dimensions: ▼



Recommended P.C.B Layout



Ordering information

PHA	XX	6	Z	X	X	X	75
Number of contacts		Pitch		Pin length		Pin plating	
Body material		Mark		Serial No.			

02~24 (pitch 5.0) 02~12 (pitch 10.0) (Solid block)	6 5.00/.197" H 10.0/.394"	Z Special length by customer request	0 Tin 1 Gold 10u" 2 Gold flash 3 Gold others (Underline is standard)	2 PA9T (Underline is standard)	0 No. mark 1 not conform 2 Customer 3 Others	00 Standard 01~99 Item special item by customer request
--	------------------------------	--------------------------------------	--	-----------------------------------	---	--

natconn® 广东纳特康电子股份有限公司
GUANGDONG NATCONN ELECTRONIC CO.,LTD

TOLERANCE: ANGLE $\pm 2^\circ$ X.XXX ± 0.01 X.XX ± 0.25 X.X ± 0.35 X. ± 0.50	PROJECTION	TITLE: PHA(5.00) Terminal Block
DATE: 2011/11/05	DRAWN: Sullen	CUSTOMER: N/A
CHECKED: 唐建平	APPROVED: 冯显东	PART NO.: PHA62XXXX75
SIZE: A4	UNIT: mm	SCALE: 1:1
		SHEET: 1/1

A

B

C

D

6

5

4

3

2

1

6

5

4

3

2

1

A

B

C

D