

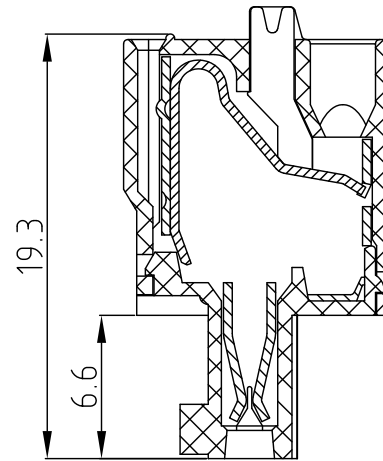
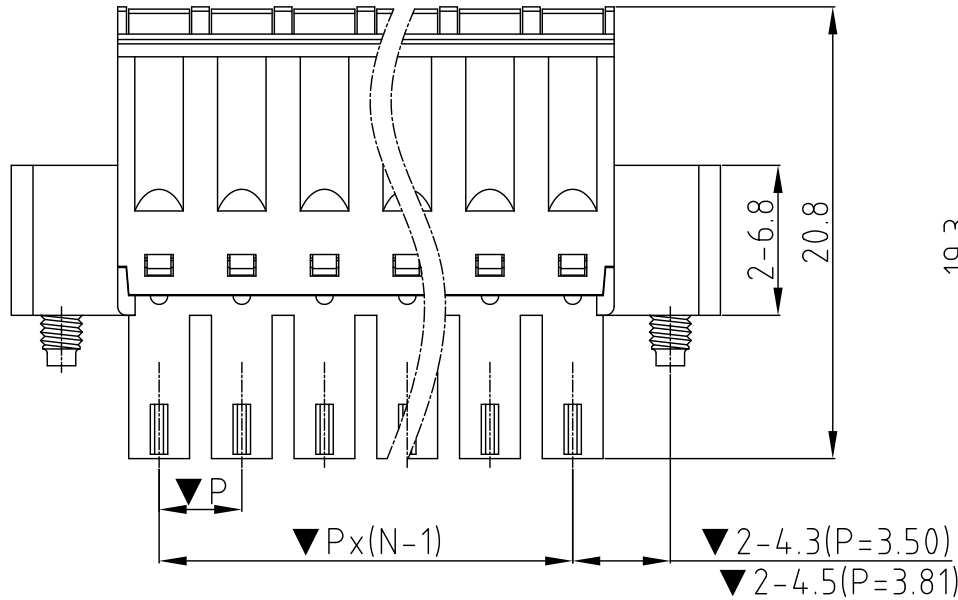
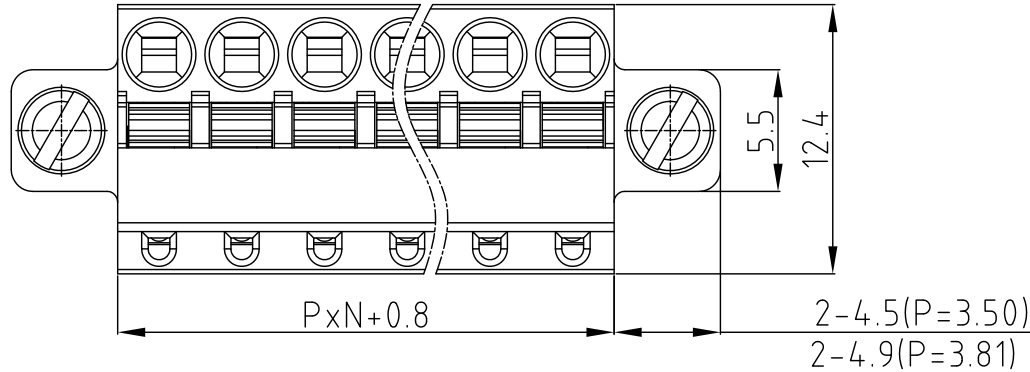
CUSTOMER COPY



REVISION DATA				
SYM	ECN	DESCRIPTION	DATE	APPROVED

Technical Data

- Material:
  - Insulator: NY66, UL94V-0 RoHS
  - Wire guard: stainless steel
  - Contact clamp: phosphor bronze, nickel plated
- Electrical:
  - Current rating: 10A
  - Voltage rating: 300V
  - Contact resistance:  $\leq 20m\Omega$
  - Insulation resistance:  $\geq 5000M\Omega$
  - Withstanding Voltage: 1600V AC/minute
- Mechanical:
  - Wire range: 28~16AWG
  - Wire strip length: 8~9mm
  - Operating temperature: -40°C to +105°C
- Critical Dimensions: ▼



Ordering information

PWC	XX	X	0	X	2	X	00
Number of contacts		Pitch	Boby Color	Boby type	Mark	Serial No.	
02~24 (Solid block)	4 3.5/.138" 5 3.81/.15"	0 Black 3 Orange 5 Green 6 Blue 8 Grey (Underline is standard)	2 With flange	0 No mark 1 natconn 2 Customer 3 Others	00 Standard 01~99 Any special item by customer request		

**natconn**® 广东纳特康电子股份有限公司  
GUANGDONG NATCONN ELECTRONIC CO.,LTD

TOLERANCE:	PROJECTION	TITLE:	PWC Terminal Block		
ANGLE $\pm 2^\circ$	DATE	2011/11/05			
X.XXX $\pm 0.01$	DRAWN	Sullen	CUSTOMER:	CUSTOMER P/N:	REV:
X.XX $\pm 0.25$	CHECKED	唐建平	N/A	N/A	N/A
X.X $\pm 0.35$	APPROVED	冯显东	PART NO.:	DRAWING NO.:	REV:
X. $\pm 0.50$				PWCXXX0X2X00	A
			SIZE: A4	UNIT: mm	SCALE: 1:1
					SHEET: 1/1