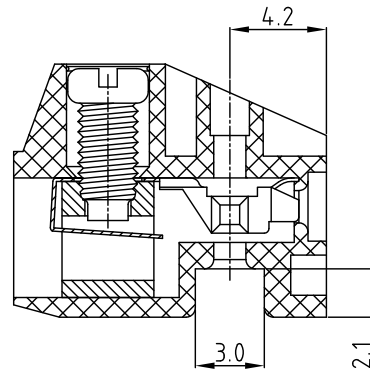
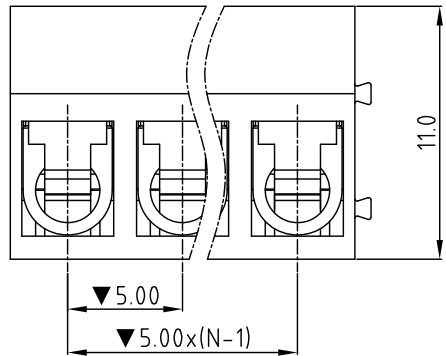
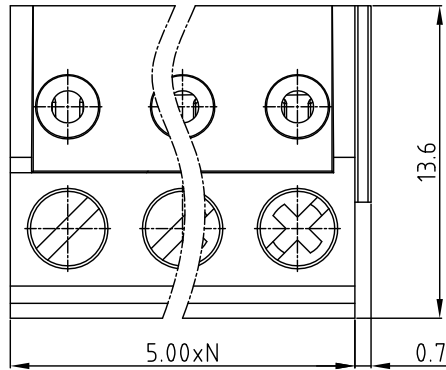


CUSTOMER COPY



| REVISION DATA |     |             |      |          |
|---------------|-----|-------------|------|----------|
| SYM           | ECN | DESCRIPTION | DATE | APPROVED |
|               |     |             |      |          |
|               |     |             |      |          |



Technical Data

1.Material:

Insulator:NY66,UL94V-0 RoHS  
 Contact clamp:phosphor bronze,nickel plated  
 Cage clamp:brass(CuZn),nickel plated  
 Screw:steel M2.6,galvanized plated

2.Electrical:

Current rating:15A  
 Voltage rating:300V  
 Contact resistance: $\leq 20m\Omega$   
 Insulation resistance: $\geq 5000M\Omega$   
 Withstanding Voltage:1600V AC/minute

3.Mechanical:

Wire range:22~14AWG  
 Screw torque:3.5Lb-in  
 Wire strip length:5-6mm  
 Operating temperature:-40°C to+105°C

4.Critical Dimensions:▼

Ordering information

|   |                              |  |   |   |  |  |            |
|---|------------------------------|--|---|---|--|--|------------|
| PBA   | XX                           | X  | X   | X | 0  | X  | 00         |
| Number of contacts  |                              | Pitch  | Screw & Clamp   |   | Color  | Mark   | Serial No. |
| 02~24(pitch5.0)<br>02~12(pitch10.0)<br>(02&03 contacts stackable) | 6 5.00/.197"<br>H 10.0/.394" | 0 "-" / "+"<br>Combination type<br>w/ brass machined<br>clamp<br>1 "-" Slot type<br>w/ brass machined<br>clamp | 0 Black<br>3 Orange<br>5 Green<br>6 Blue<br>8 Grey<br>(Underline is standard) |   | 0 No mark<br>1 natconn<br>2 Customer<br>3 Others | 00 Standard<br>01~99 Any<br>special item<br>by customer<br>request |            |

| Packing     |   |
|-------------|---|
| 1.General   | √ |
| 2.Tape&Reel |   |
| 3.Tube      |   |
| 4.Tray      |   |
| 5.Other     |   |

**natconn**® 广东纳特康电子股份有限公司  
 GUANGDONG NATCONN ELECTRONIC CO.,LTD

|                     |            |                    |               |               |
|---------------------|------------|--------------------|---------------|---------------|
| TOLERANCE:          | PROJECTION | TITLE:             |               |               |
| ANGLE $\pm 2^\circ$ | DATE       | PBA Terminal Block |               |               |
| X.XXX $\pm 0.05$    | 2014/04/01 | CUSTOMER:          | CUSTOMER P/N: | REV:          |
| X.XX $\pm 0.20$     | DRAWN      | N/A                | N/A           | N/A           |
| X.X $\pm 0.30$      | CHECKED    | PART NO.:          |               | DRAWING NO.:  |
| X. $\pm 0.50$       | APPROVED   | PBAXXXXXX0X00      |               | PBAXXXXXX0X00 |
|                     | 张丰志        | SIZE:              | UNIT:         | SCALE:        |
|                     |            | A4                 | mm            | 1:1           |
|                     |            |                    |               | SHEET:        |
|                     |            |                    |               | 1/1           |