

SYM	ECN	DESCRIPTION	DATE	APPROVED



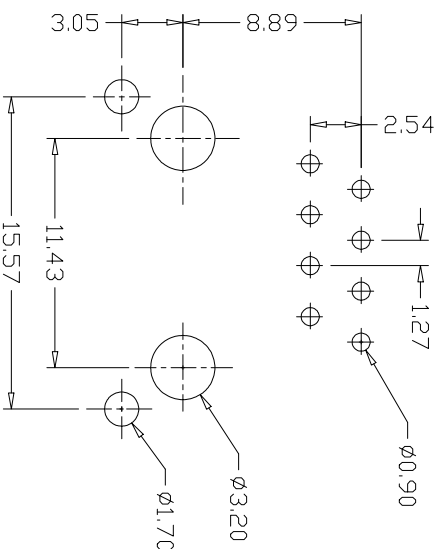
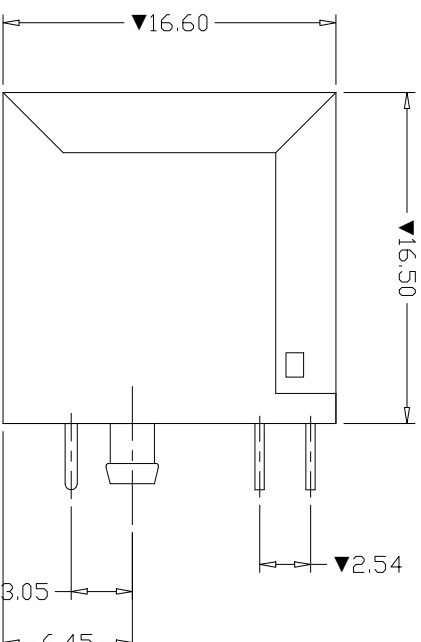
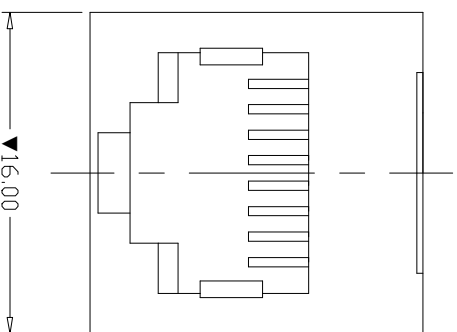
### Technical Data

**Material:**

Contact material: Phosphor Bronze  
 Contact plating: Au or Sn Over 50 $\mu$ ” Ni  
 Shellmaterial: 0.2mm Copper Alloy  
 Insulator material: Black Polyester UL94V-0

**Electrical:**

Current rating: 1.5Amps/contact max.  
 Contact resistance:  $\leq 0.001\Omega$ /contact  
 Insulation resistance:  $\geq 100M\Omega$  at V=100V  
 Withstanding voltage: 1000V AC/minute  
 Critical dimensions : ?



PCB Layout

Ordering information

Contact Plating	
01	Tin
02	Gold Flash
03	Gold /Tin
04	Gold3 $\mu$ ”
05	GOLD5 $\mu$ ”
06	Gold 10 $\mu$ ”
07	Gold30 $\mu$ ”

Layer	
A	One
B	Two

Housing Colour	
B	Black
Y	Yellow
W	White

Glide No	
01-99	

Packing		TITLE:	
1. General		JACK 8P8C 180°	
2. Tape&Reel			
3. Tube	✓	TOLERANCE:	ANGLE $\pm 2^\circ$
4. Tray		X.XXX	$\pm 0.01$
5. Other		X.XX	$\pm 0.25$
		X.X	$\pm 0.35$
		X.	$\pm 0.50$

**natconn**®

广东纳特康电子股份有限公司  
 GUANGDONG NATCONN ELECTRONIC CO.,LTD



PROJECTION

DATE: 2014/08/06

DRAWN: 邹丽婷

CHECKED: 于松

CUSTOMER: N/A

APPROVED: 张丰志

PARTNO.: R108-XXXX-03

SIZE: A4

UNIT: mm

SCALE: 1:1

SHEET: 1/1