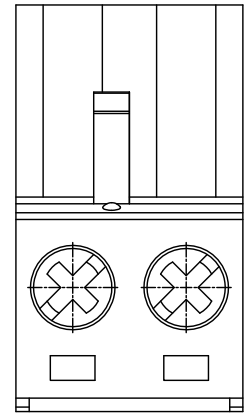
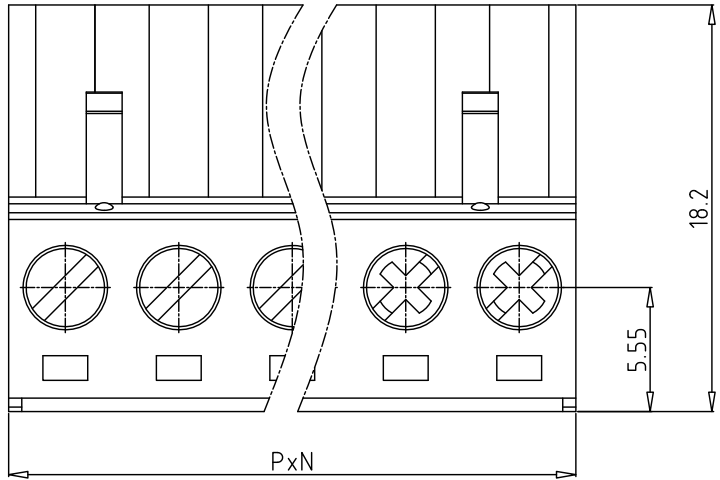


CUSTOMER COPY



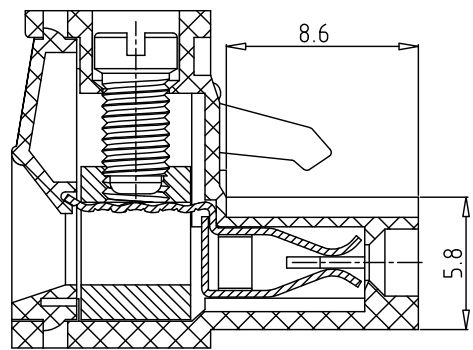
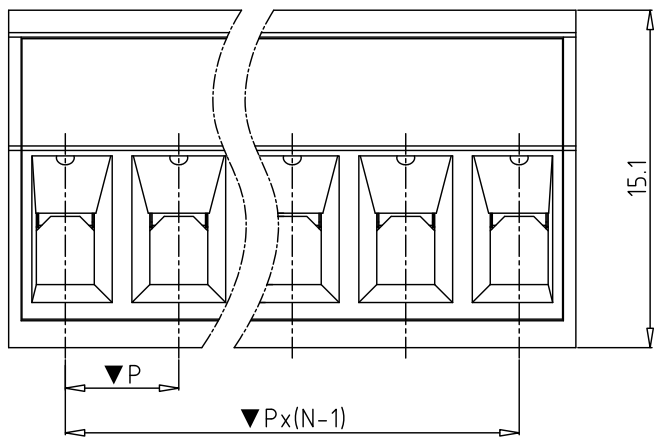
| REVISION DATA |     |             |      |          |
|---------------|-----|-------------|------|----------|
| SYM           | ECN | DESCRIPTION | DATE | APPROVED |
|               |     |             |      |          |
|               |     |             |      |          |



2 CONTACTS

Technical Data

- Material:
  - Insulator: NY66, UL94V-0 RoHS
  - Contact clamp: phosphor bronze, Tin plated
  - Cage clamp: brass (CuZn), nickel plated
  - Screw: steel M3, galvanized plated
- Electrical:
  - Current rating: 15A
  - Voltage rating: 300V
  - Contact resistance:  $\leq 20m\Omega$
  - Insulation resistance:  $\geq 5000M\Omega$
  - Withstanding Voltage: 1600V AC/minute
- Mechanical:
  - Wire range: 24~12AWG
  - Screw torque: 5Lb-in
  - Wire strip length: 7-8mm
  - Operating temperature: -40°C to +105°C
  - Safety approval: file No.: E355923
- Critical Dimensions: ▼



Ordering information

|   |  |  |  |                  |  |  |    |
|---|--|--|--|------------------|--|--|----|
| PJC   | XX   | X  | X  | X                | 0  | X  | 00 |
| Number of contacts  | Pitch  | Screw & Clamp  | Color  | Body type        | Mark   | Serial No.   |    |
| 02~24 (pitch 5.0 / 5.08)<br>02~12 (pitch 10.0 / 10.16)<br>(Solid block) | 6 5.00 / .197"<br>7 5.08 / .20"<br>H 10.00 / .394"<br>I 10.16 / .40" | 0 "-" / "+"<br>Combination type<br>w/ brass machined<br>clamp<br>1 "-" Slot type<br>w/ brass machined<br>clamp | 0 Black<br>3 Orange<br>5 Green<br>6 Blue<br>8 Grey<br>(Underline is<br>standard) | 0 Without flange | 0 No mark<br>1 natconn<br>2 Customer<br>3 Others | 00 Standard<br>01~99 Any<br>special item<br>by customer<br>request |    |

**natconn**® 广东纳特康电子股份有限公司  
GUANGDONG NATCONN ELECTRONIC CO.,LTD

|                     |            |            |                    |     |              |
|---------------------|------------|------------|--------------------|-----|--------------|
| TOLERANCE:          | PROJECTION | TITLE:     | PJC Terminal Block |     |              |
| ANGLE $\pm 2^\circ$ | DATE       | 2014/06/26 |                    |     |              |
| X.XXX $\pm 0.05$    | DRAWN      | 唐建平        | CUSTOMER:          | N/A | REV: N/A     |
| X.XX $\pm 0.25$     | CHECKED    | 于松         | CUSTOMER P/N:      | N/A | REV: N/A     |
| X.X $\pm 0.35$      | APPROVED   | 冯显东        | PART NO.:          |     | DRAWING NO.: |
| X. $\pm 0.50$       |            |            |                    |     | PJCXXXXX0X00 |
|                     |            |            | SIZE:              | A4  | UNIT: mm     |
|                     |            |            | SCALE:             | 1:1 | SHEET: 1/1   |