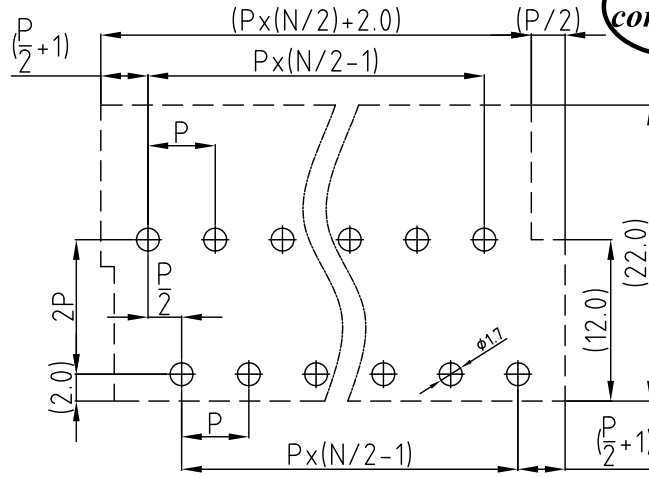
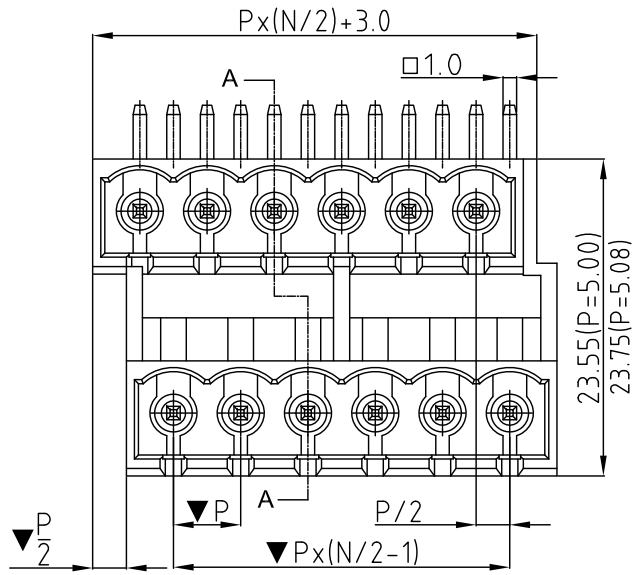
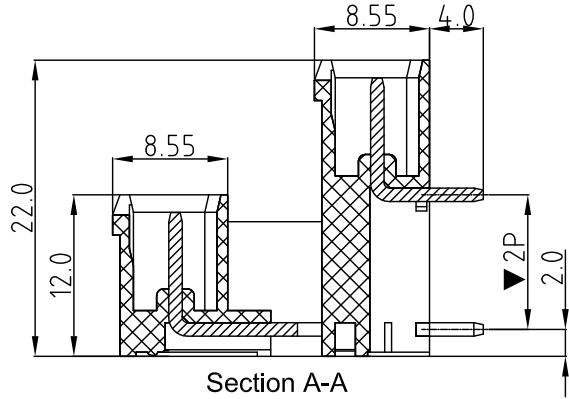
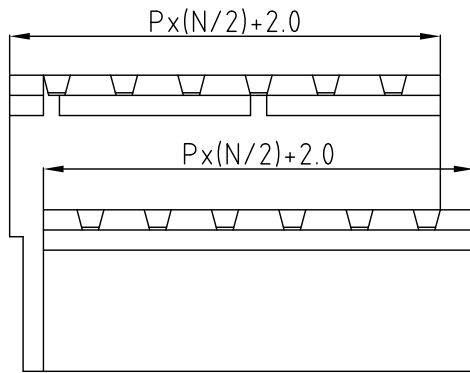


CUSTOMER COPY

REVISION DATA				
SYM	ECN	DESCRIPTION	DATE	APPROVED



Remmended P.C.B Layout



Section A-A

Technical Data

1.Material:

Insulator: NY66, UL94V-0 RoHS
Solder pin: brass, tin plated

2.Electrical:

Current rating: 15 A
Voltage rating: 300V
Contact resistance: $\leq 20m\Omega$
Insulation resistance: $\geq 5000M\Omega$
Withstanding Voltage: 1600V AC/minute

3.Mechanical:

Operating temperature: $-40^{\circ}C$ to $+105^{\circ}C$
Soldering temperature: $245^{\circ}C \pm 10^{\circ}C/5S$

4.Critical Dimensions: ▼

Ordering information

PSA	XX	X	1	X	0	X	00
Number of contacts	Pitch	Body type	Color	P.C.B mounting	Mark	Serial No.	

04(2x2)~48(2x24)
(pitch 5.0/5.08)
04(2x2)~24(2x12)
(pitch 10.0/10.16)
(Solid block)

6 5.0/.197"
7 5.08/.20"
H 10.0/.394"
I 10.16/.40"

Close

0 Black
3 Orange
5 Green
6 Blue
8 Grey
(Underline is standard)

0 Right angle

0 No mark
1 natconn
2 Customer
3 Others

00 Standard
01~99 Any special item by customer request

natconn® 广东纳特康电子股份有限公司
GUANGDONG NATCONN ELECTRONIC CO.,LTD

TOLERANCE:	PROJECTION		TITLE: PSA Terminal Block, R/A Type		
ANGLE $\pm 2^{\circ}$	DATE	2011/11/05			
X.XXX ± 0.01	DRAWN	Sullen	CUSTOMER: N/A	CUSTOMER P/N: N/A	REV: N/A
X.XX ± 0.25	CHECKED	唐建平	PART NO.:	DRAWING NO.: PSAXXX1X0X00	REV: A
X.X ± 0.35	APPROVED	冯显东	SIZE: A4	UNIT: mm	SCALE: 1:1
X. ± 0.50					SHEET: 1/1