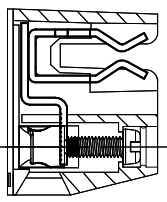
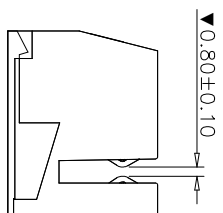
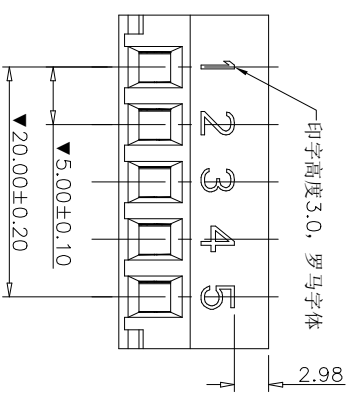
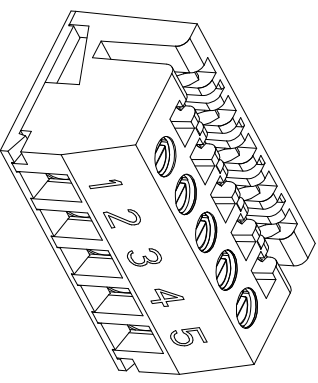
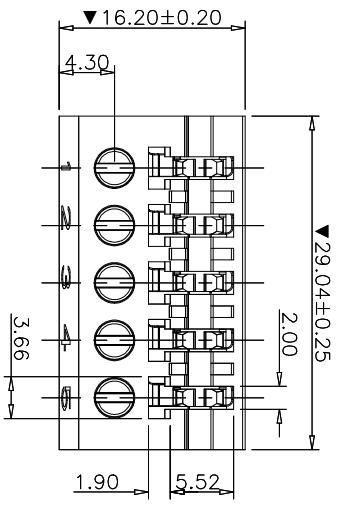




REVISION DATA				
SYM	ECN	DESCRIPTION	DATE	APPROVED

- Technical Data**
- Material:
 - 1.1 Insulator: Nylon, UL94V-0, RoHS
 - 1.2 Contact: Brass, Ag plated Over Nickel
 - Electrical:
 - 2.1 Current rating: 10Amps/contact max.
 - 2.2 Voltage rating: 250V
 - 2.3 Withstanding Voltage: 2000V AC/minute
 - 2.4 Contact resistance: $\leq 20\text{m}\Omega/\text{contact}$
 - 2.5 Insulation resistance: $\geq 5000\text{M}\Omega$ at V=500V
 - Mechanical:
 - 3.1 Retention force: 3.5Kg/contact min.
 - 3.2 Operating temperature: -30°C to +105°C
 - Critical Dimensions: ▼



Ordering Information(Part No.)

PUA 05 1 6 1 8 0 0 00

Number of contacts: 05 Scontacts	Pitch: 6 5.00/.197"	Screw&Clamp: 0 "-" / "+" Combination type W/Brass Machined Clamp 1 "-" / "+" Slot type W/Brass Machined Clamp	Color: 8 Grey	Mark: 0 No. mark 1 Natconn Others: Customer mark	Serial No.: 00 Standard
-------------------------------------	------------------------	---	------------------	---	----------------------------

Packing	
1. General	
2. Tape&Reel	
3. Tube	✓
4. Tray	
5. Other	

tolerance: ANGLE $\pm 2^\circ$ X.XXX ± 0.05 X.XX ± 0.25 X.X ± 0.35 X. ± 0.50		PROJECTION		TITLE: PUA5.00 Terminal Block		
		DATE	11-04-2011	CUSTOMER:	N/A	CUSTOMER P/N:
DRAWN		Yang	PART NO.:	N/A	DRAWING NO.:	PUA056180000
CHECKED			SIZE:	A4	UNIT:	mm
APPROVED			SCALE:	3:1	SHEET:	1/1

natconn 深圳市纳特康电子有限公司
SHENZHEN NATCONN ELECTRONIC CO.,LTD