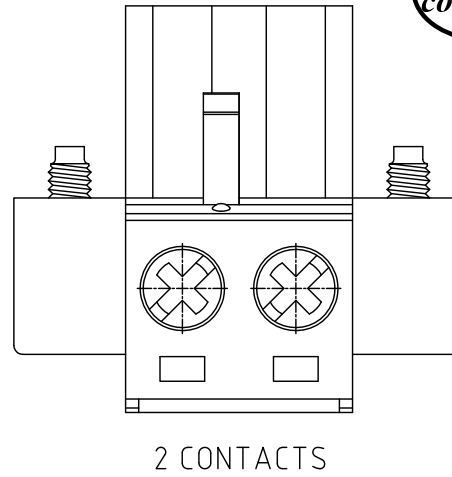
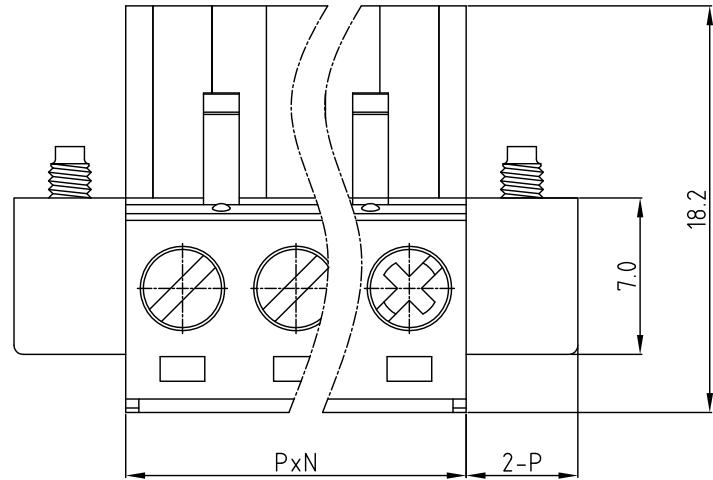


CUSTOMER COPY



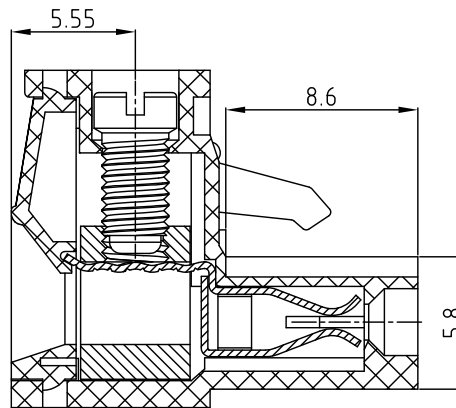
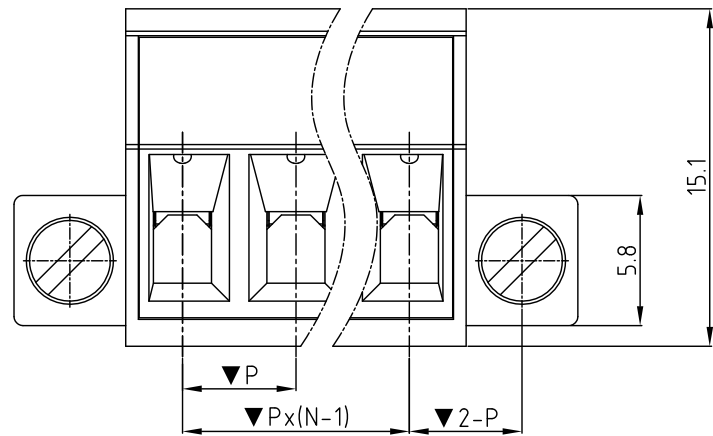
REVISION DATA

SYM	ECN	DESCRIPTION	DATE	APPROVED



Technical Data

- Material:
 - Insulator: NY66, UL94V-0 RoHS
 - Contact clamp: phosphor bronze, nickel plated
 - Cage clamp: brass (CuZn), nickel plated
 - Screw: steel M3, galvanized plated
- Electrical:
 - Current rating: 15A
 - Voltage rating: 300V
 - Contact resistance: $\leq 20m\Omega$
 - Insulation resistance: $\geq 5000M\Omega$
 - Withstanding Voltage: 1600V AC/minute
- Mechanical:
 - Wire range: 24~12AWG
 - Screw torque: 5Lb-in
 - Wire strip length: 7-8mm
 - Operating temperature: -40°C to +105°C
 - Safety approval: file No.: E355923
 - Critical Dimensions: ▼



Ordering information

PJD	XX	X	X	X	2	X	XX
Number of contacts	Pitch	Screw & Clamp	Color	Body type	Mark	Serial No.	
02~24(pitch5.0/5.08) 02~12(pitch10.0/10.16) (Solid block)	6 5.0/.197" 7 5.08/.20" H 10.0/.394" I 10.16/.40"	0 "-/+ Combination type w/ brass machined clamp 1 "-Slot type w/ brass machined clamp	0 Black 3 Orange 5 Green 6 Blue 8 Grey (Underline is standard)	2 With flange	0 No mark 1 natconn 2 Customer 3 Others	00 Standard 01~99 Any special item by customer request	

natconn[®] 广东纳特康电子股份有限公司
GUANGDONG NATCONN ELECTRONIC CO.,LTD

TOLERANCE:	PROJECTION	TITLE:
ANGLE $\pm 2^\circ$	DATE 2014/01/08	PJD Terminal Block
X.XXX ± 0.01	DRAWN Sullen	CUSTOMER: N/A
X.XX ± 0.25	CHECKED 唐建平	CUSTOMER P/N: N/A
X.X ± 0.35	APPROVED 冯显东	PART NO.:
X. ± 0.50		DRAWING NO.: PJDXXXXX2X00
		REV: A
	SIZE: A4	UNIT: mm
	SCALE: 1:1	SHEET: 1/1