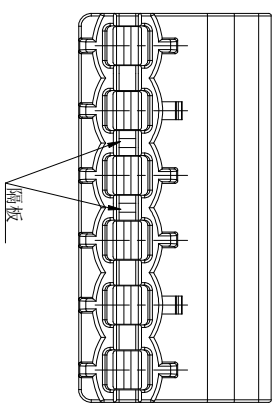
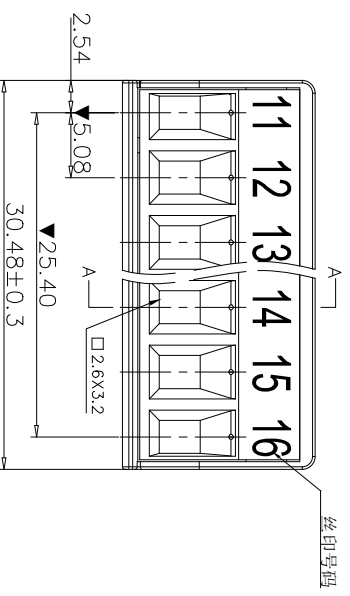
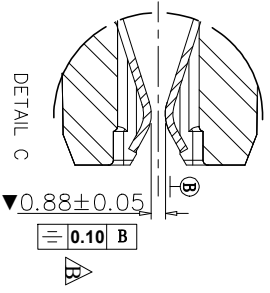
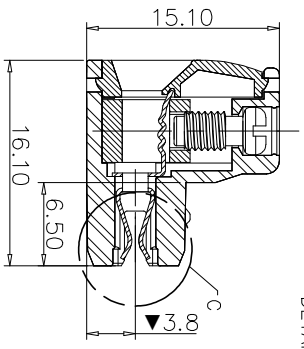
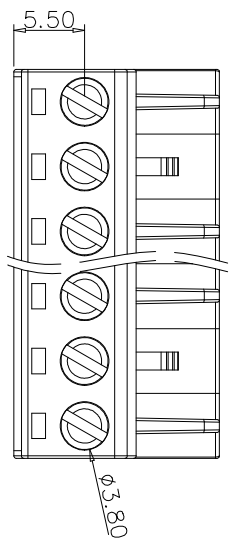


CUSTOMER COPY



REVISION DATA				
SYM	ECN	DESCRIPTION	DATE	APPROVED
B		修改弹片开口尺寸	2017/08/28	王伟超



Ordering information(Part No.)

PJH XX 7 1 X 0 X 05

Number of contacts: 02~24(Pitch 5.0/5.08) 02~12(Pitch 10.0/10.16) (Solid block)	Pitch: 6 5.0/.197" 7 5.08/.20" H 10.0/.394" 1 10.16/.40"	Screw&Clamp: 0 -/+Combination type W/Bress Machined Clamp 1 -Slet Type W/Bress Machined Clamp	Color: 0 Black 2 Red 5 Green 6 Blue 8 Grey	Body Type: 0 Without Flange	Mark: 0 No mark 1 Natconn Others: Customer mark	Serial No.: 00~99
--	--	---	---	--------------------------------	---	----------------------

Technical Data

- Material:
 - Housing: PA66 ,Black (UL94V-0)
 - Cover: PA66 ,Black (UL94V-0)
 - Contact: Phosphor bronze, tin plated
 - Screw: M3, Steel, "-" slot type,Cr3+ Zinc plated.
- Clamp: Brass(CuZn), Gold(1u") plated
- Electrical:
 - Current rating:12Amps/contact max
 - Voltage rating:300V/contact AC
 - Insulation resistance: ≥5000MΩ at V=100V
 - Withstanding voltage: 1.6 KV
 - Contact resistance: 20 mΩ Max
 - Wire range:Solid wire: 12~24 AWG
Stranded wire: 12~24 AWG
- Mechanical:
 - Operating temperature: -40°C to+115°C
 - Critical Dimensions:▼

Packing		TOLERANCE: ±2°		TITLE:	
1. General	√	ANGLE	±2°	PJH 5.08 Series Terminal Block	
2. Tape&Reel		DATE	2015/06/15	CUSTOMER:	N/A
3. Tube		DRAWN	唐建平	CUSTOMER P/N:	N/A
4. Tray		CHECKED		DRAWING NO.:	PJHXX71X0X05
5. Other		APPROVED		SIZE:	A4

natconn® 广东纳特康电子股份有限公司
GUANGDONG NATCONN ELECTRONIC CO.,LTD

