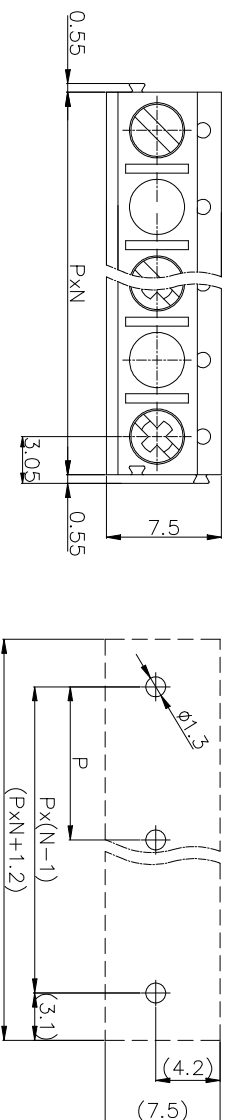




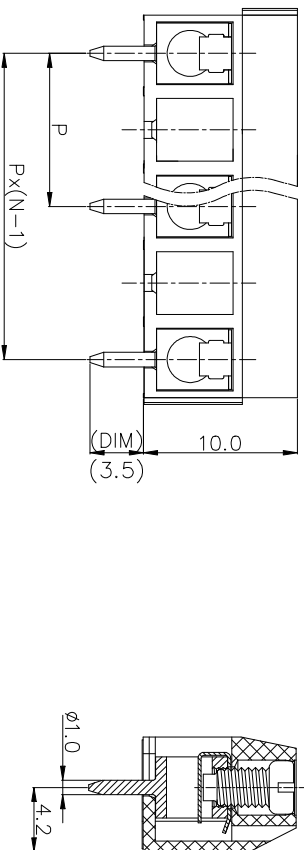
REVISION DATA				
SYM	ECN	DESCRIPTION	DATE	APPROVED

Technical Data

- Material:
 - Insulator: PA66, UL94V-0 RoHS
 - Screw: steel M2.6, galvanized plated
 - Wire guard: stainless steel
 - Terminal: brass (CuZn), tin plated
- Electrical:
 - Current rating: 1.5A
 - Voltage rating: 300V
 - Contact resistance: $\leq 20m\Omega$
 - Insulation resistance: $\geq 5000M\Omega$
 - Withstanding Voltage: 1600V AC/minute
- Mechanical:
 - Wire range: 22~14AWG
 - Screw torque: 2.6Lb-in
 - Wire strip length: 5-6mm
 - Operating temperature: -40°C to +105°C
 - Soldering temperature: 245°C \pm 10°C / 5S
 - Safety approval: **UL** file No.: E355923



Recommended P.C.B Layout



Ordering information

WEA	XX	X	X	X	X	00
Number of contacts	Pitch	Screw & Clamp	Color	Tail length(DIM)	Mark	Serial No.
02~12(pitch 10.0/10.16) (02&03 contacts stackable)	H 10.0/.394" I 10.16/.40"	0 "-" / "+" Combination type w/ brass machined clamp 1 " " "Spot Type w/ brass machined clamp	0 Block 3 Orange 5 Green 6 Blue 8 Grey (Underline is standard)	0 4.4mm 1 3.8mm 2 3.5mm (Underline is standard)	0 No mark 1 notconn 2 Customer 3 Others	00_2-Interlock 02~99 Any special item by customer request (Underline is standard)

natconn® 东莞市纳特康电子有限公司
DONGGUAN NATCONN ELECTRONIC CO.,LTD.

TOLERANCE: ANGLE $\pm 2^\circ$ X.XXX ± 0.05 X.XX ± 0.20 X.X ± 0.30 X. ± 0.50	PROJECTION	TITLE: WEA 10.0/10.16 Terminal Block, 2-Interlock
DATE: 2014/04/01	DRAWN: 唐建平	CUSTOMER: N/A
CHECKED: 于松	PART NO.:	CUSTOMER P/N: N/A
APPROVED: 张丰志	SIZE: A4	DRAWING NO.: WEAXXXXXXX00
	UNIT: mm	SCALE: 2:1
		SHEET: 1/1