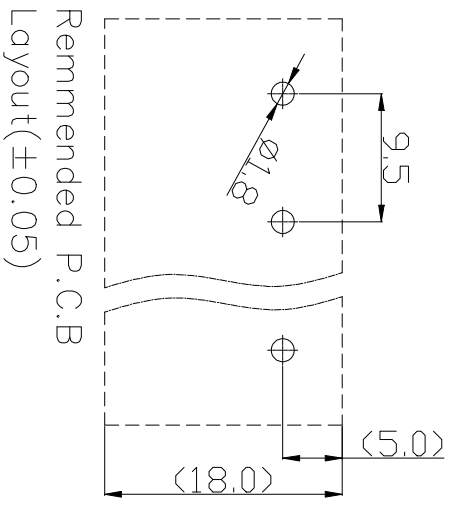
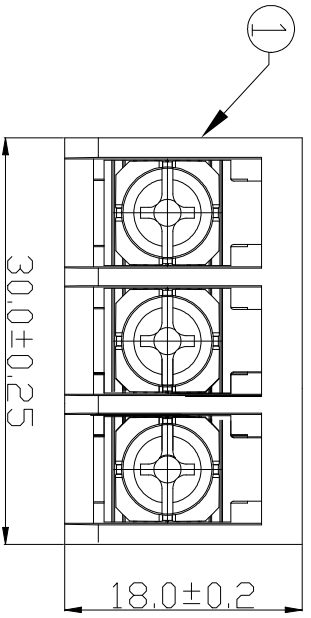


CUSTOMER COPY

6 5 4 3 2 1



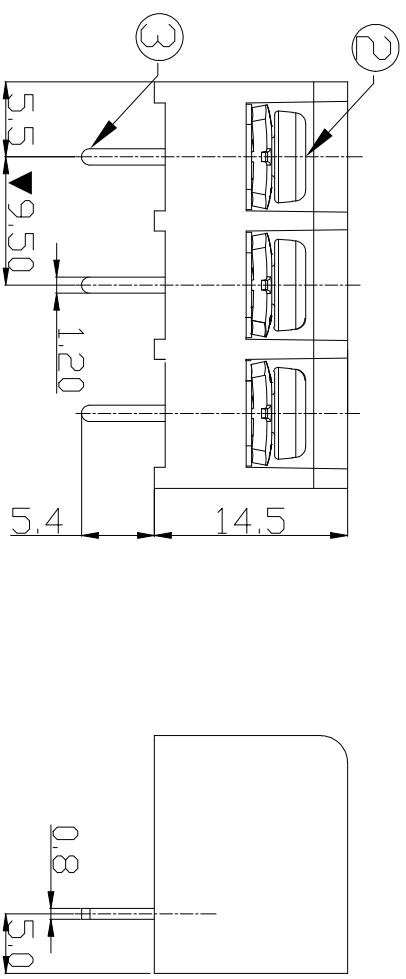
REVISION DATA				
SYM	ECN	DESCRIPTION	DATE	APPROVED

电气参数 Electrical Notes:

1. 中心间距 PITCH(mm): 9.50mm
2. 电压 Voltage Rating(V): 300V
3. 电流 Current Rating(A): 30A
4. 电线范围(美规) Wire Range(AWG): 12-24
5. 电线范围(欧规) Wire Range(mm²): 0.5-2.5mm²
6. 螺丝 Screw: M3.5
7. 扭力 Torque(lb-in): 10Lb-In
8. 剥线长度 Wire Strip Length(mm): 5-6mm
9. 工作温度范围 Using Temperature Range: -30°C~+105°C
10. 绝缘阻抗 Insulation Resistance: 1000MΩ or more at DC500V
11. 工频耐压 Frequency Voltage: AC 2500V/MIN
12. 安规证书 Approved Certificates: cULus, CE
13. 符合 RoHS 环保标准 RoHS Compliance

材料 Materials:

1. 部件名称 PARTS NAME:
- ① 外壳 Housing
 - ② 螺丝 Screw
 - ③ 引脚 Terminal Pin
2. 材料 MATERIAL:
- ① 尼龙 66 PA66 (UL 94V-0)
 - ② 钢 Steel (Nickel Plated)
 - ③ 黄铜 Brass (Tin Plated)



Ordering information

BKC	F	5	03	0	X	X	05
Pitch		Dip type		Number of contacts		Cover & Flange	
F 9.5/374*		5 Eccentric with back well		0 W/o flange & W/o cover		0 Screw & Contacts plating G/F	
0 1 Screw plating Ni & contacts plating G/F		0 2 Screw plating G/F & contact plating Sn		0 3 Screw plating Ni & contacts plating Sn (Underline is standard)		0 1 No mark	
0 2 Customer		0 3 Others		00 Standard		01~99 Any special item by customer request	

natconn®

广东纳特康电子股份有限公司
GUANGDONG NATCONN ELECTRONIC CO.,LTD.

TOLERANCE: ANGLE ±2°	PROJECTION	TITLE: BKC Terminal Block PH9.5
X.XXX ±0.01	DATE: 2024.11.12	CUSTOMER: N/A
X.XX ±0.30	DRAWN: 莫健勇	PART NO.: N/A
X.X ±0.40	CHECKED: 郑双平	DRAWING NO.: BKC-F5XX0XX05
X. ±0.50	APPROVED: 冯显东	SCALE: 1:1
	SIZE: A4	UNIT: mm
		SHEET: 1/1

A B C D 6 5 4 3 2 1