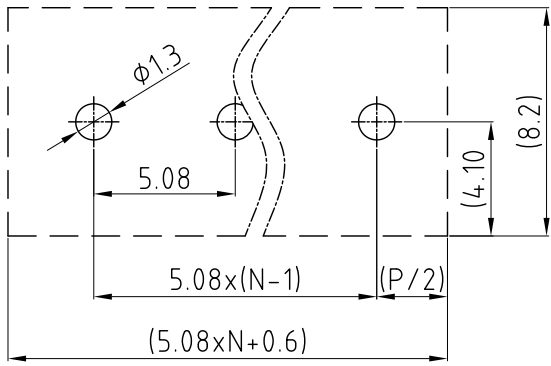
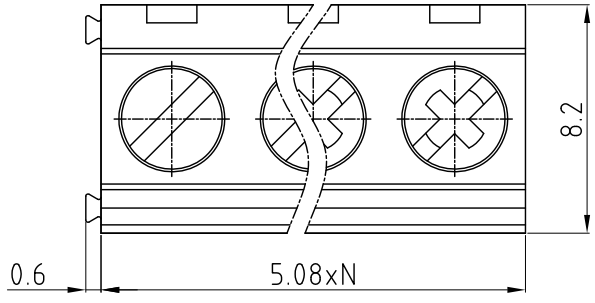


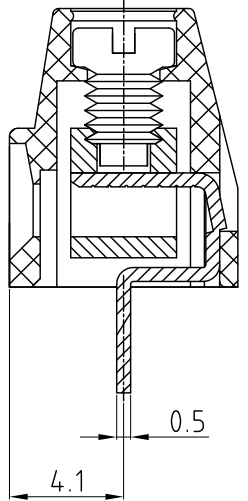
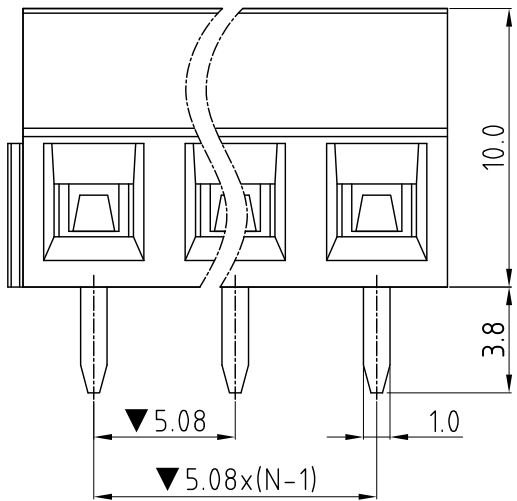
CUSTOMER COPY



REVISION DATA				
SYM	ECN	DESCRIPTION	DATE	APPROVED



Remmended P.C.B Layout



Technical Data

- 1. Material:
 - Insulator: NY66, UL94V-0 RoHS
 - Screw: steel M3, galvanized plated
 - Cage clamp: brass (CuZn), nickel plated
 - Terminal: brass (CuZn), tin plated
- 2. Electrical:
 - Current rating: 10A
 - Voltage rating: 300V
 - Contact resistance: $\leq 20m\Omega$
 - Insulation resistance: $\geq 5000M\Omega$
 - Withstanding Voltage: 1600V AC/minute
- 3. Mechanical:
 - Wire range: 26~16AWG
 - Screw torque: 3.5Lb-in
 - Wire strip length: 6-7mm
 - Operating temperature: -40°C to +105°C
 - Soldering temperature: 245°C \pm 10°C / 5S
- 4. Critical Dimensions: ▼

Ordering information

RIA	XX	X	X	X	2	X	00
Number of contacts		Pitch	Screw & Clamp	Color		Mark	Serial No.

02~24 (pitch 5.08)
 02~12 (pitch 10.16)
 (02&03 contacts stackable)

7 5.08/.20"
 1 10.16/.40"

0 "-/+ " Combination type w/ brass machined clamp
 1 "-/Slot type w/ brass machined clamp

0 Black
 3 Orange
 5 Green
 6 Blue
 8 Grey
 (Underline is standard)

0 No mark
 1 natconn
 2 Customer
 3 Others

00 Standard
 01~99 Any special item by customer request

natconn® 广东纳特康电子股份有限公司
 GUANGDONG NATCONN ELECTRONIC CO.,LTD.

TOLERANCE: ANGLE $\pm 2^\circ$ X.XXX ± 0.01 X.XX ± 0.25 X.X ± 0.35 X. ± 0.50	PROJECTION		TITLE: RIA Terminal Block		
	DATE	2014/04/05	CUSTOMER:	N/A	CUSTOMER P/N:
	DRAWN	唐建平	CUSTOMER:	N/A	REV: N/A
	CHECKED	于松	PART NO.:	DRAWING NO.:	REV: A
	APPROVED	冯显东	SIZE:	A4	UNIT: mm
			SCALE:	1:1	SHEET: 1/1